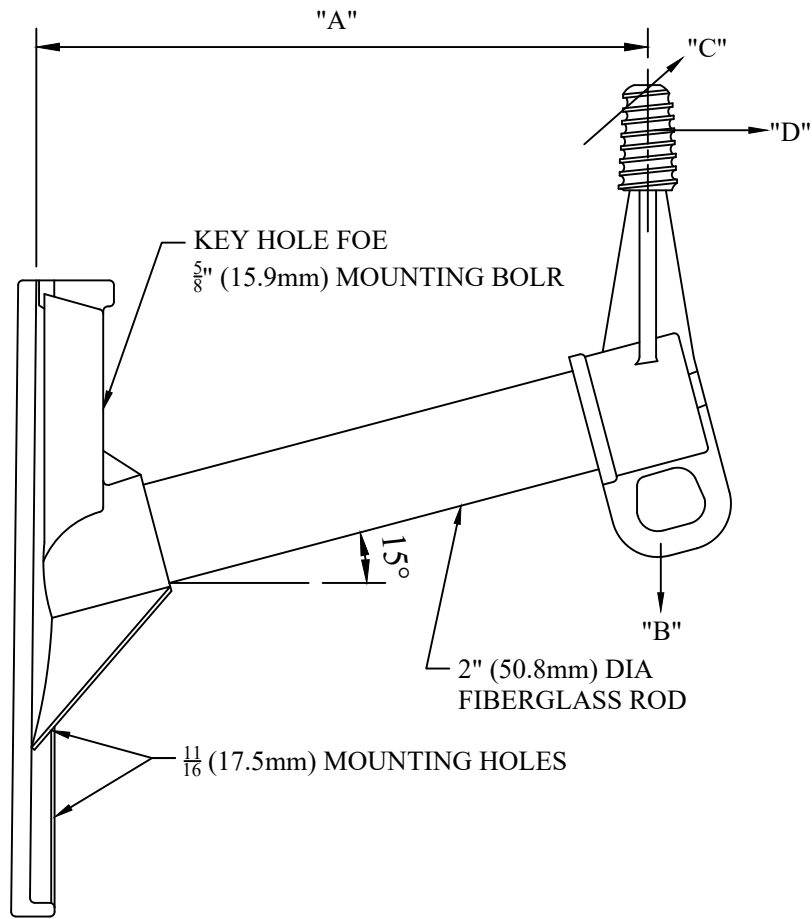


CATALOG NUMBER : 06K2G0C



CATALOG NUMBER	"A"	VERTICAL "B" (LB)	LONGITUDINAL "C" (LB)	TRANSVERSE "D" (LB)
06K2G0C_1	12 (304.8mm)	2550	2000	2500
06K2G0C_2	12 (457.2mm)	2250	1900	2500
06K2G0C_3	20 (528mm)	2250	1900	2500
06K2G0C_4	24 (609.6mm)	2100	1850	2500
06K2G0C_5	27 (685.8mm)	1950	1800	2500
06K2G0C_6	30 (762mm)	1880	1750	2500

* RECOMMENDED MAXIMUM WORKING LOAD IS 50% OF MINIMUM ULTIMATE RATINGS LISTED.

DRN BY:	DATA
Ella	09/07/17

CONFIDENTIAL THIS DRAWING AND ITS CONTENTS PROPERTY OF TIANJIN TUOFA ELECTRIC POWER TECHNOLOGY CO.,LTD. NO PUBLICATION, DISTRIBUTION OR COPIES MAY BE MADE WITHOUT THE WRITTEN CONSENT OF TIANJIN TUOFA ELECTRIC POWER TECHNOLOGY CO.,LTD. TIANJIN TUOFA ELECTRIC POWER TECHNOLOGY CO.,LTD UNPUBLISHED ALL RIGHTS RESERVED UNDER THE COPYRIGHT LAWS.

VERTICAL PIN STANDOFF BRACKET



TTF POWER TECHNOLOGY CO.