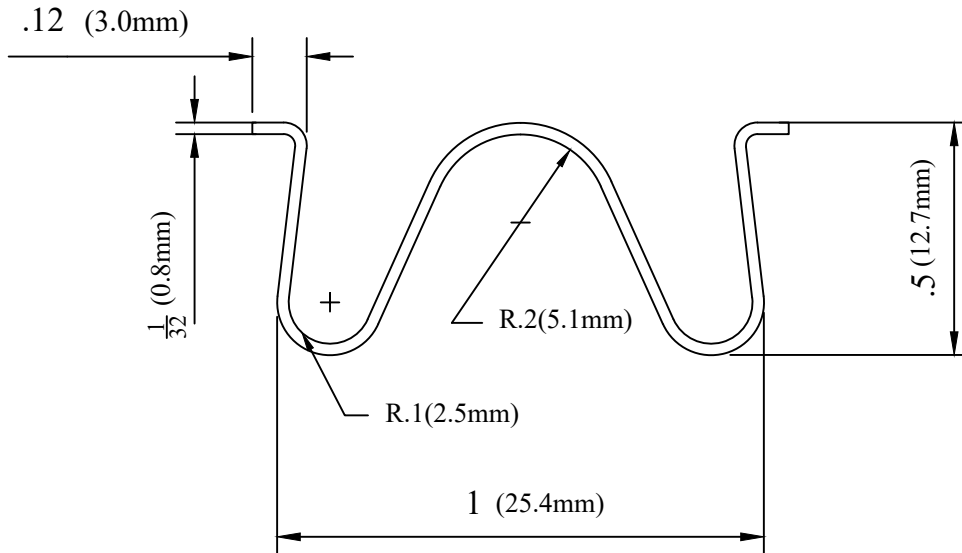
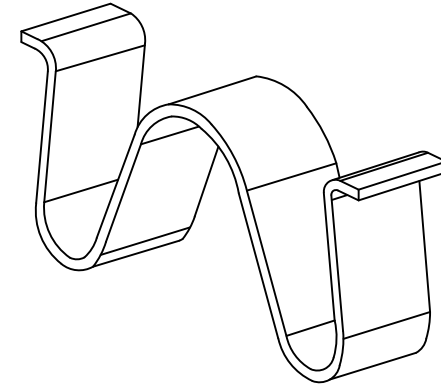


CATALOG NUMBER : 04A9T1V

NOTES:

- 1.MATERIAL: 1 / 32 X 1 / 4 ANN. SP. STEEL
- 2.FINISH: HOT DIP GALVANIZE PER ASTM A153(LATEST REV.)



DRN BY:	DATA
Ella	09/07/17

CONFIDENTIAL THIS DRAWING AND ITS CONTENTS PROPERTY OF TIANJIN TUOFA ELECTRIC POWER TECHNOLOGY CO.,LTD. NO PUBLICATION, DISTRIBUTION OR COPIES MAY BE MADE WITHOUT THE WRITTEN CONSENT OF TIANJIN TUOFA ELECTRIC POWER TECHNOLOGY CO.,LTD. TIANJIN TUOFA ELECTRIC POWER TECHNOLOGY CO.,LTD UNPUBLISHED ALL RIGHTS RESERVED UNDER THE COPYRIGHT LAWS.

UNDERGROUND  
LOCKING CLIP



TTF POWER TECHNOLOGY CO.