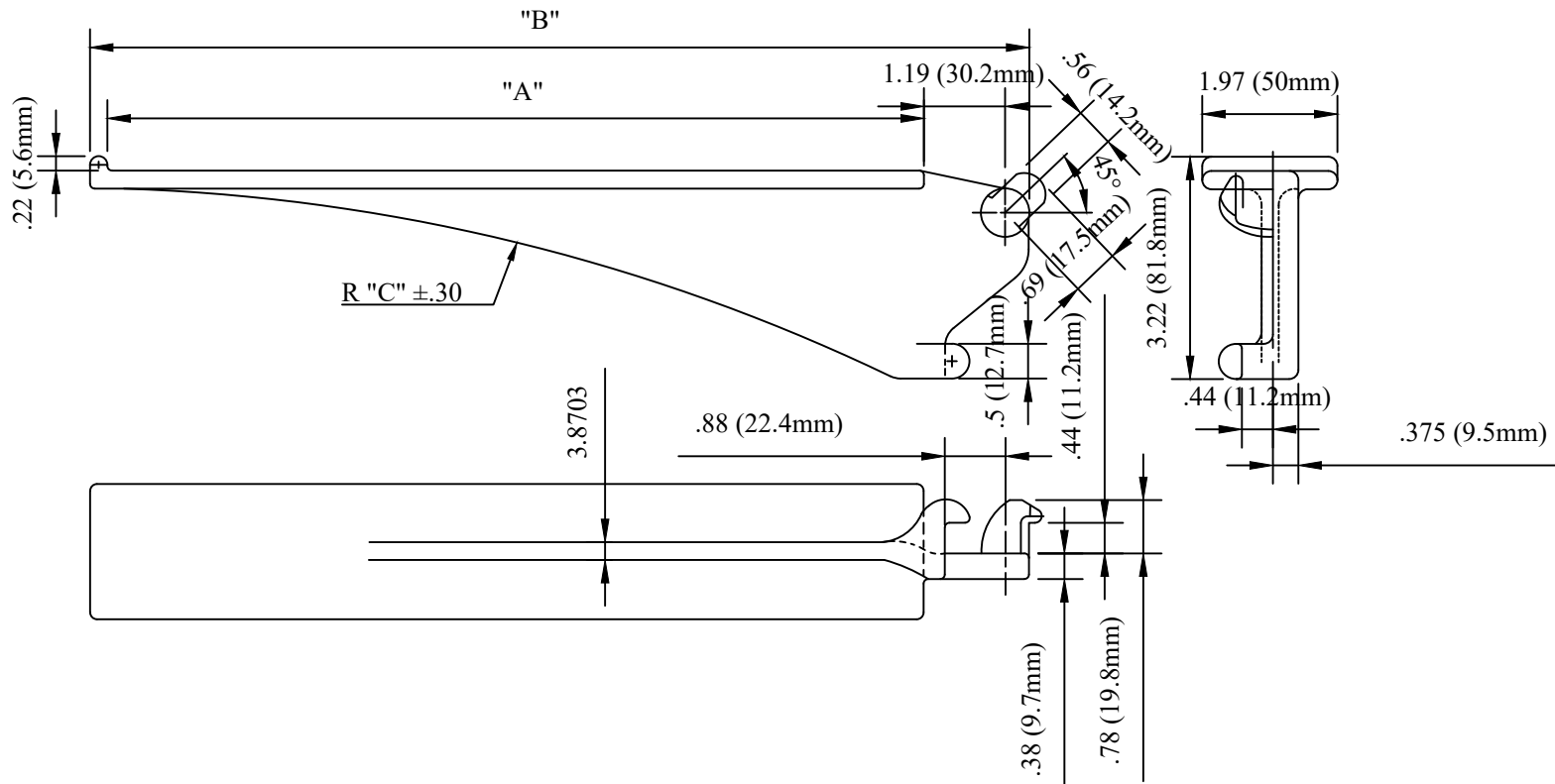


CATALOG NUMBER : 04A0Q3W

NOTES:

- 1.MATERIAL: DUCTILE IRON PER ASTM A536 GRADE 80-55-06.
ALT.MATERIAL: DUCTILE IRON PER ASTM A536 GRADE 65-45-12.
- 2.FINISH: HOT DIP GALVANIZE PER ASTM A153 (LAST REVISION).



CATALOG NUMBER	"C"	"B"	"A"
04A0Q3W_1	4 (101.6)	5.66 (143.8)	3.88 (98.6)
04A0Q3W_2	21 (533.4)	9.66 (245.4)	7.88 (200.2)
04A0Q3W_3	27.63 (701.8)	13.66 (347)	11.88 (301.8)
04A0Q3W_4	72 (1828.8)	16.66 (423.2)	14.88 (378)

DRN BY:	DATA
Ella	08/06/17

CONFIDENTIAL THIS DRAWING AND ITS CONTENTS PROPERTY OF TIANJIN TUOFA ELECTRIC POWER TECHNOLOGY CO.,LTD. NO PUBLICATION, DISTRIBUTION OR COPIES MAY BE MADE WITHOUT THE WRITTEN CONSENT OF TIANJIN TUOFA ELECTRIC POWER TECHNOLOGY CO.,LTD. TIANJIN TUOFA ELECTRIC POWER TECHNOLOGY CO.,LTD UNPUBLISHED ALL RIGHTS RESERVED UNDER THE COPYRIGHT LAWS.

UNDERGROUND CABLE RACK
SUPPORT HOOK



TTF POWER TECHNOLOGY CO.