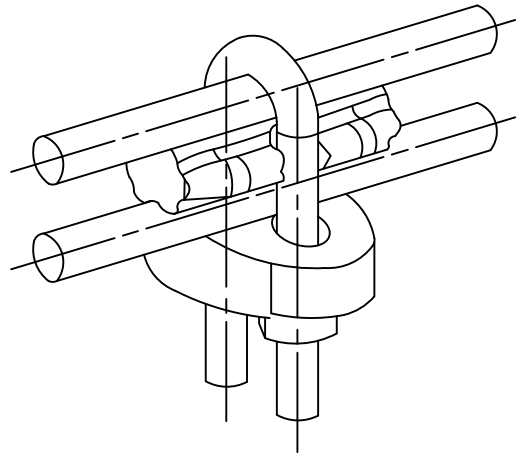
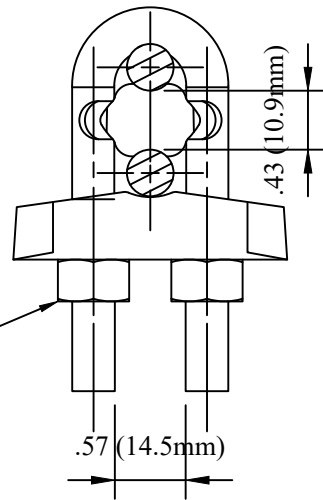


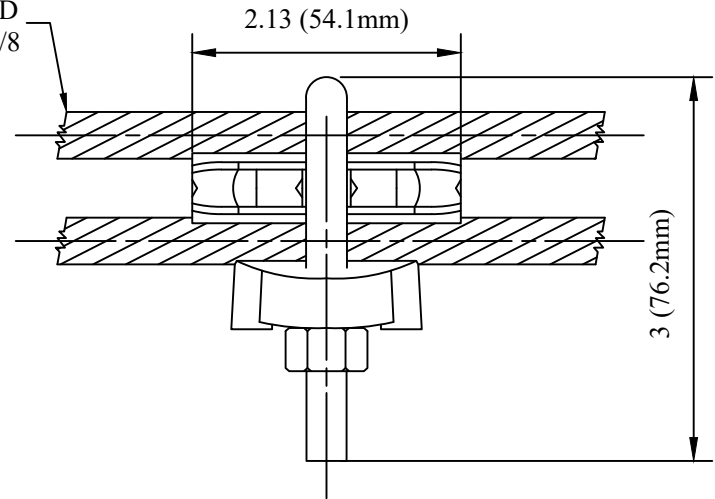
CATALOG NUMBER : 04B3D6D



ACCPMADATES STRAND  
SIZE 3/16 - 3/8



3/8 - 16 UNC HEX NUT



NOTES:

- 1.MATERIAL: GRADE 60 - 40 - 18 DUCTILE IRON PER ASTM A536 (LATEST REV).
- 2.FINISH: HOT DIP GALVANIZE PER ASTM A153 (LATEST REV).

DRN BY:	DATA
Ella	08/06/17
<small>CONFIDENTIAL:THIS DRAWING AND ITS CONTENTS PROPERTY OF TIANJIN TUOFA ELECTRIC POWER TECHNOLOGY CO.,LTD. NO PUBLICATION, DISTRIBUTION OR COPIES MAY BE MADE WITHOUT THE WRITTEN CONSENT OF TIANJIN TUOFA ELECTRIC POWER TECHNOLOGY CO.,LTD. TIANJIN TUOFA ELECTRIC POWER TECHNOLOGY CO.,LTD UNPUBLISHED ALL RIGHTS RESERVED UNDER THE COPYRIGHT LAWS.</small>	

U-BOLTED GUY CLAMP



TTF POWER TECHNOLOGY CO.