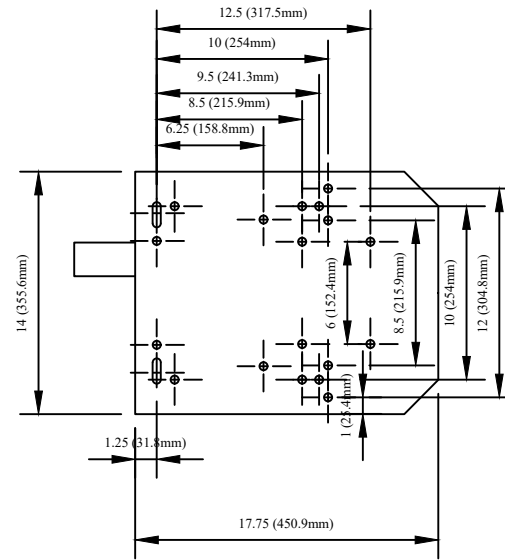
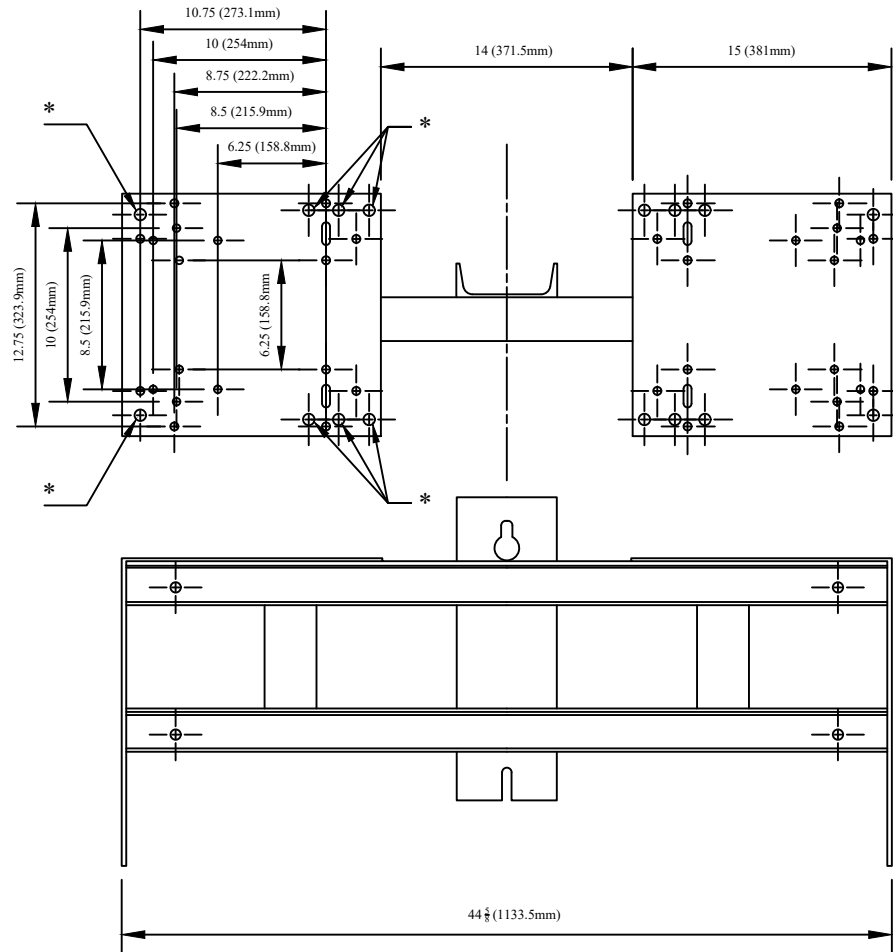


CATALOG NUMBER : 04D6H7L



NOTES:

- 1.MATERIAL: ALUMINUM.
- 2.ASSEMBLED COMPLETE AS SHOWN.
- 3.ALL HOLES AND SLOTS ARE FOR $\frac{3}{8}$ " DIA.
HARDWARE WITH THE EXCEPTION OF HOLES MARKED WITH (*).
THESE ARE FOR $\frac{1}{2}$ " DIA. HARDWARE.

DRN BY:	DATA
Ella	09/07/17
<small>CONFIDENTIAL THIS DRAWING AND ITS CONTENTS PROPERTY OF TIANJIN TUOFA ELECTRIC POWER TECHNOLOGY CO.,LTD. NO PUBLICATION, DISTRIBUTION OR COPIES MAY BE MADE WITHOUT THE WRITTEN CONSENT OF TIANJIN TUOFA ELECTRIC POWER TECHNOLOGY CO.,LTD. TIANJIN TUOFA ELECTRIC POWER TECHNOLOGY CO.,LTD UNPUBLISHED ALL RIGHTS RESERVED UNDER THE COPYRIGHT LAWS.</small>	

TWO POSITION
PRIARY MOUNT



TTF POWER TECHNOLOGY CO.