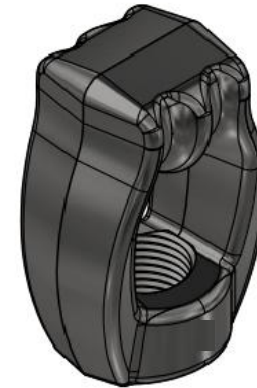
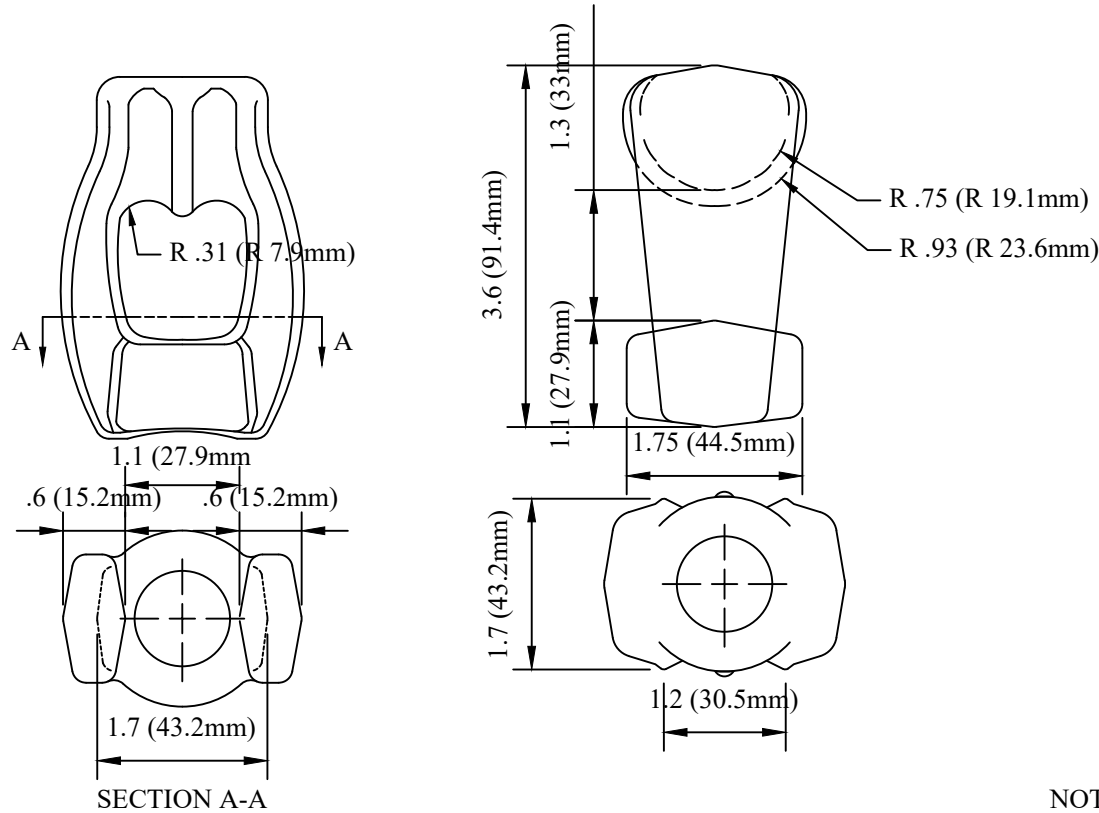


CATALOG NUMBER : 03G5F2B



NOTES:
 1. MATERIAL: HOT ROLLED STEEL,
 HOT DIP GALVANIZE PER ASTM A153.

CATALOG NUMBER	RATING (LBS)	"T"	APPLICATION
03G5F2B_1	12,400	.646-11UNS-2B	5/8" BOLT
03G5F2B_2	18,350	.771-10UNS-2B	3/4" BOLT
03G5F2B_3	36,000	1.021-8UNS-2B	3/4" PISA ROD / 1" PISA ROD / 1" BOLT
03G5F2B_4	50,000	1.021-8UNS-2B	3/4" PISA ROD / 1" PISA ROD
03G5F2B_5	16,000	.695-11UNS-2B	5/8" PISA BOLT

DRN BY:	DATA
Ella	08/06/17

CONFIDENTIAL THIS DRAWING AND ITS CONTENTS PROPERTY OF TIANJIN TUOFA ELECTRIC POWER TECHNOLOGY CO.,LTD. NO PUBLICATION, DISTRIBUTION OR COPIES MAY BE MADE WITHOUT THE WRITTEN CONSENT OF TIANJIN TUOFA ELECTRIC POWER TECHNOLOGY CO.,LTD. TIANJIN TUOFA ELECTRIC POWER TECHNOLOGY CO.,LTD UNPUBLISHED ALL RIGHTS RESERVED UNDER THE COPYRIGHT LAWS.

TWINEYE PISA ANCHOR NUT



TTF POWER TECHNOLOGY CO.