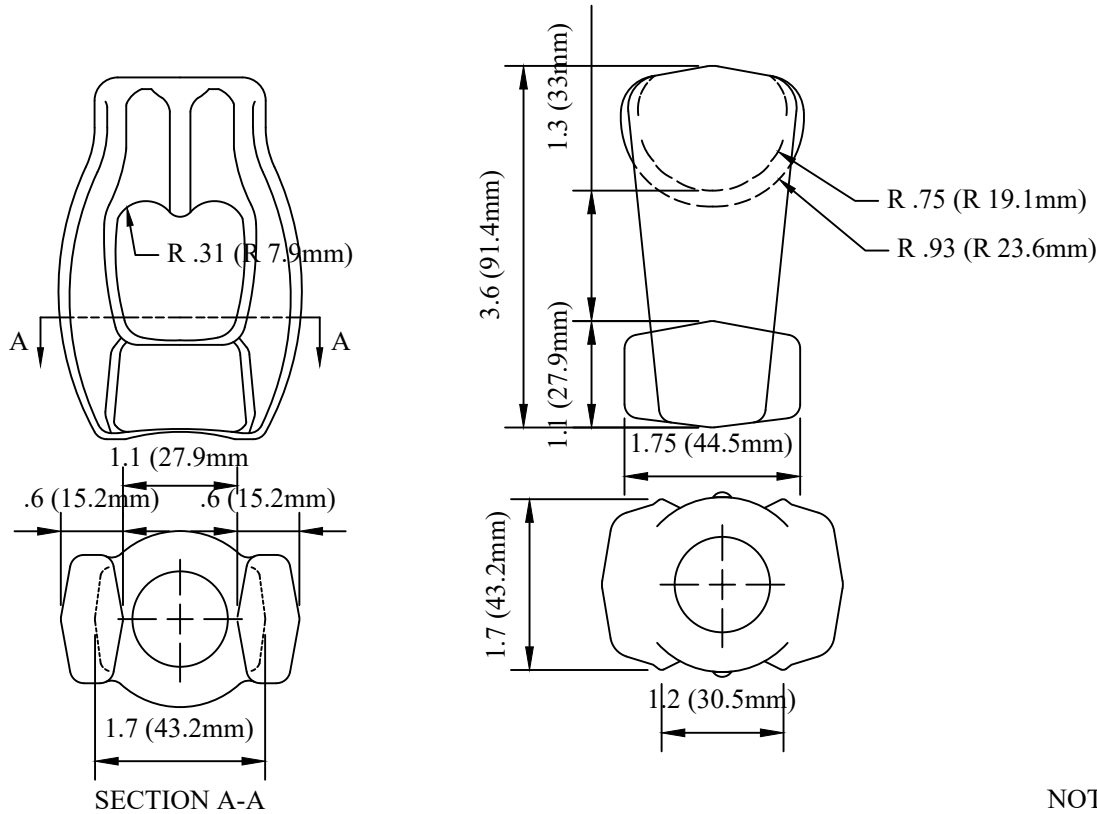


CATALOG NUMBER : 03G9J6N



NOTES:
1. MATERIAL: HOT ROLLED STEEL,
HOT DIP GALVANIZE PER ASTM A153.

CATALOG NUMBER	RATING (LBS)	"T"	APPLICATION
03G9J6N_1	12,400	.646-11UNS-2B	5/8" BOLT
03G9J6N_2	18,350	.771-10UNS-2B	3/4" BOLT
03G9J6N_3	36,000	1.021-8UNS-2B	3/4" PISA ROD / 1" PISA ROD / 1" BOLT
03G9J6N_4	50,000	1.021-8UNS-2B	3/4" PISA ROD / 1" PISA ROD
03G9J6N_5	16,000	.695-11UNS-2B	5/8" PISA BOLT

DRN BY:	DATA
Ella	08/06/17

CONFIDENTIAL THIS DRAWING AND ITS CONTENTS PROPERTY OF TIANJIN TUOFA ELECTRIC POWER TECHNOLOGY CO.,LTD. NO PUBLICATION, DISTRIBUTION OR COPIES MAY BE MADE WITHOUT THE WRITTEN CONSENT OF TIANJIN TUOFA ELECTRIC POWER TECHNOLOGY CO.,LTD. TIANJIN TUOFA ELECTRIC POWER TECHNOLOGY CO.,LTD UNPUBLISHED ALL RIGHTS RESERVED UNDER THE COPYRIGHT LAWS.

TWINEYE ANCHOR PISA NUT



TTF POWER TECHNOLOGY CO.