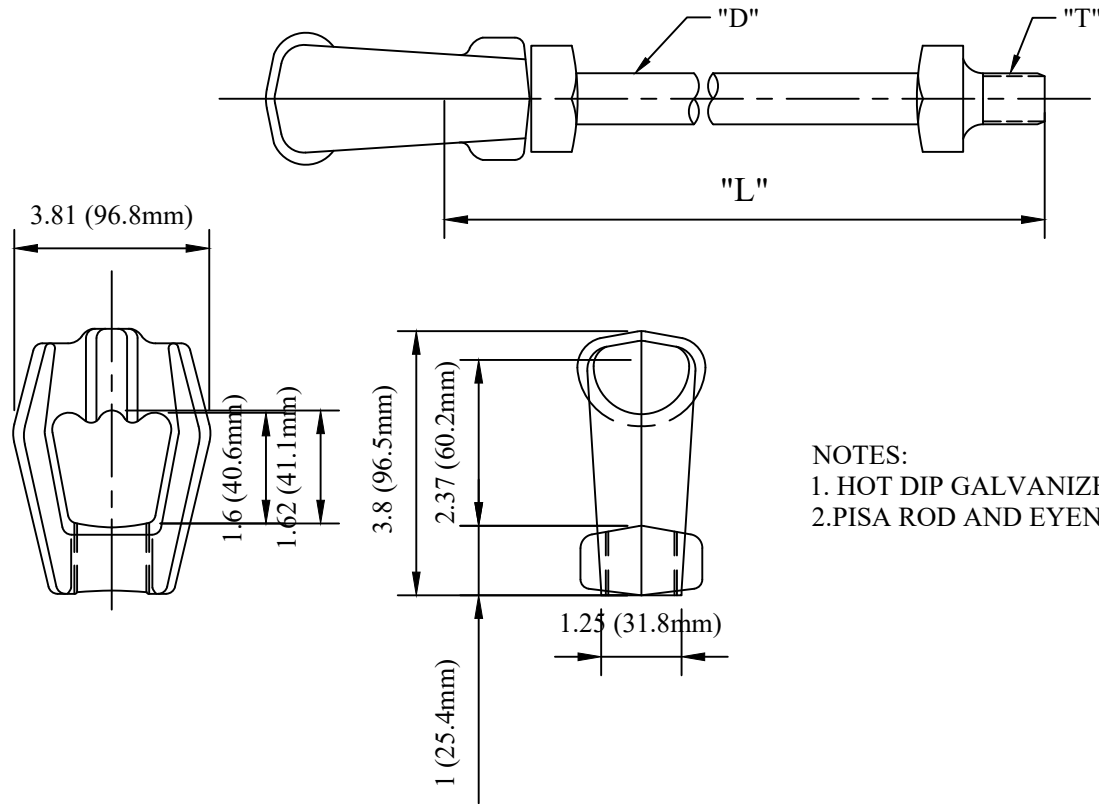


CATALOG NUMBER : 03F3C4X



NOTES:

1. HOT DIP GALVANIZE PER ASTM A153(LATEST REVISION).
2. PISA ROD AND EYENUTS SHIPPED ASSEMBLED.

CATALOG NUMBER	DESCRIPTION	D	L	T
03F3C4X_1	ROD & TRIPLEYE NUT	5/8 (15.9mm)	5/8 (15.9mm)	43/64-11UNS-2
03F3C4X_2	ROD & TRIPLEYE NUT	1 (25.4mm)	1 (25.4mm)	1-8UNS-2
03F3C4X_3	ROD & TRIPLEYE NUT	5/8 (15.9mm)	5/8 (15.9mm)	43/64-11UNS-2
03F3C4X_4	ROD & TRIPLEYE NUT	3/4 (25.4mm)	3/4 (25.4mm)	1-8UNS-2
03F3C4X_5	ROD & TRIPLEYE NUT	1 (25.4mm)	1 (25.4mm)	1-8UNS-2

DRN BY:	DATA
Ella	08/06/17

CONFIDENTIAL THIS DRAWING AND ITS CONTENTS PROPERTY OF TIANJIN TUOFA ELECTRIC POWER TECHNOLOGY CO.,LTD. NO PUBLICATION, DISTRIBUTION OR COPIES MAY BE MADE WITHOUT THE WRITTEN CONSENT OF TIANJIN TUOFA ELECTRIC POWER TECHNOLOGY CO.,LTD. TIANJIN TUOFA ELECTRIC POWER TECHNOLOGY CO.,LTD UNPUBLISHED ALL RIGHTS RESERVED UNDER THE COPYRIGHT LAWS.

TRIPLEYE PISA ANCHOR ROD



TTF POWER TECHNOLOGY CO.