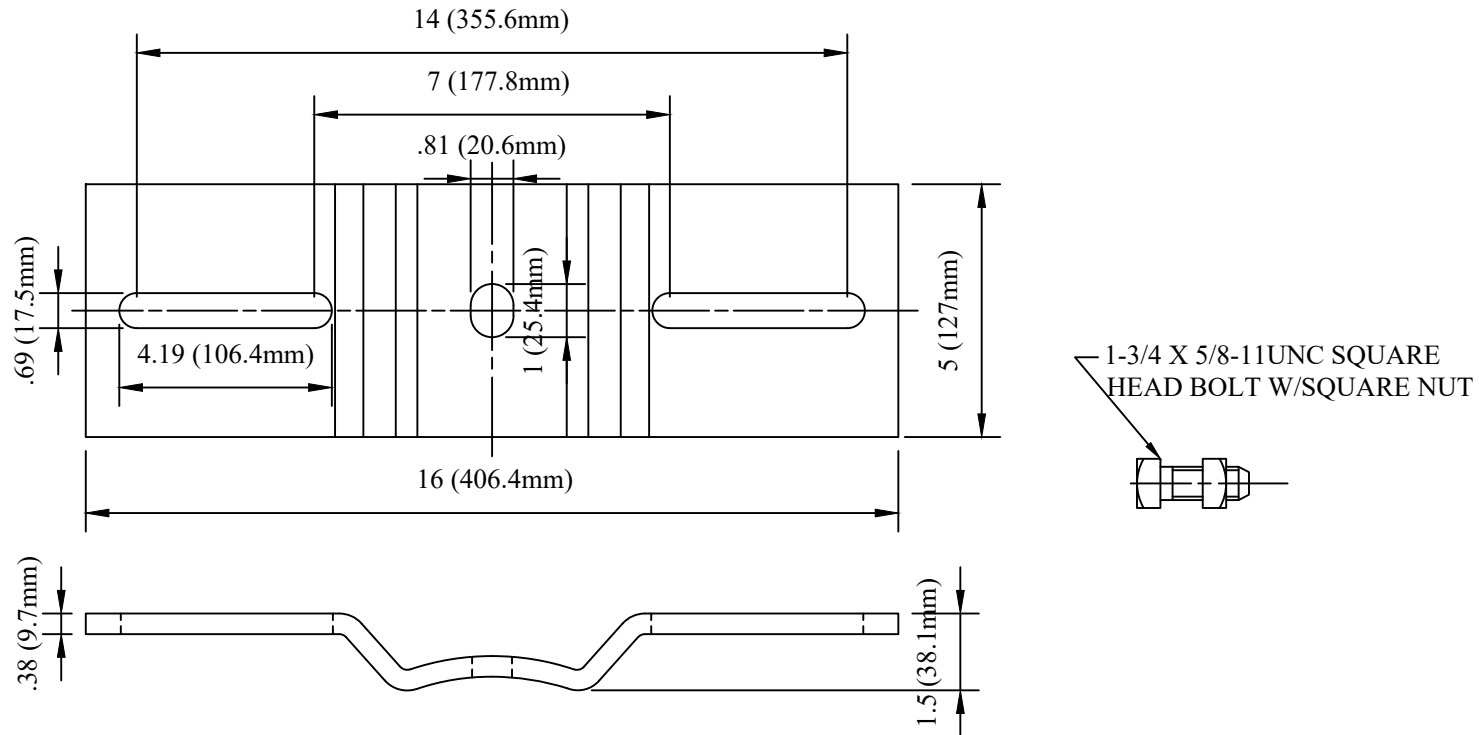


CATALOG NUMBER : 04D8A1L



NOTES:

- 1.MATERIAL: STEEL PER ASTM A36.
- 2.FINISH: HOT DIP GALVANIZE PER ASTM A153(LATEST REVISION).
- 3.2BOLTS AND SQUARE NUTS INCLUDED.

DRN BY:	DATA
Ella	09/07/17
<small>CONFIDENTIAL THIS DRAWING AND ITS CONTENTS PROPERTY OF TIANJIN TUOFA ELECTRIC POWER TECHNOLOGY CO.,LTD. NO PUBLICATION, DISTRIBUTION OR COPIES MAY BE MADE WITHOUT THE WRITTEN CONSENT OF TIANJIN TUOFA ELECTRIC POWER TECHNOLOGY CO.,LTD. TIANJIN TUOFA ELECTRIC POWER TECHNOLOGY CO.,LTD UNPUBLISHED ALL RIGHTS RESERVED UNDER THE COPYRIGHT LAWS.</small>	

TRANSFORMER BRACKET
ADAPTER PLATE



TTF POWER TECHNOLOGY CO.