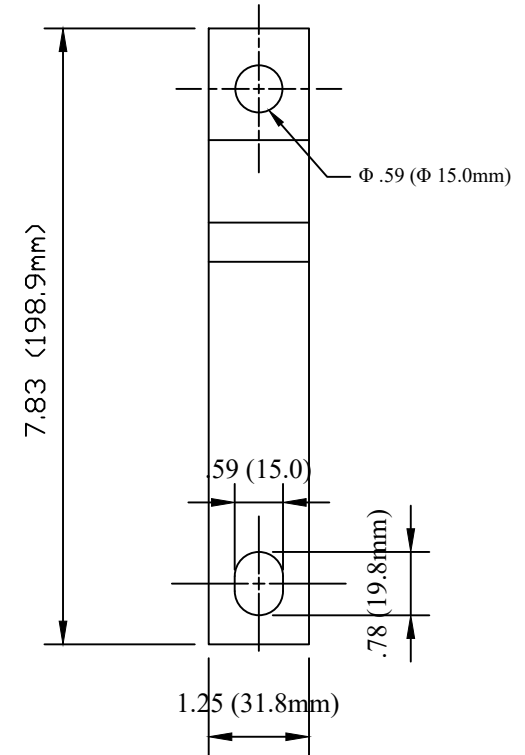
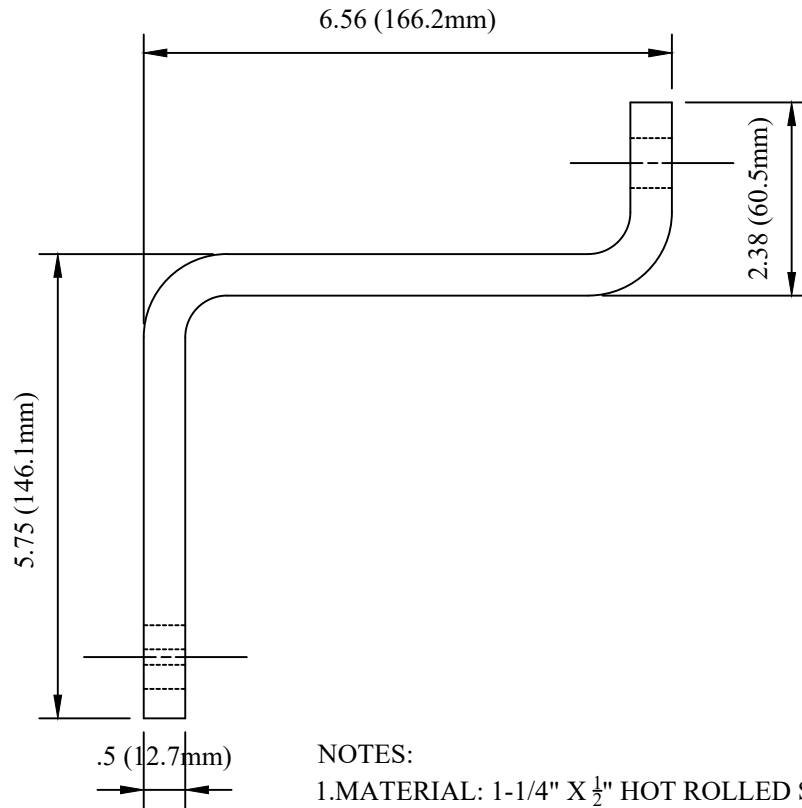


CATALOG NUMBER : 04A9N2I



NOTES:

- 1.MATERIAL: 1-1/4" X 1/2" HOT ROLLED STEEL PER AISI M1020 OR M 1023. OR ASTM A36.
- 2.FINISH: HOT DIP GALVANIZE PER ASTM A153(LATEST REVISION).

CATALOG NUMBER	DESCRIPTION
04A9N2I_1	CABLE RACK SUPPORT
04A9N2I_2	CABLE RACK SUPPORT
04A9N2I_3	CABLE RACK SUPPORT

DRN BY:	DATA
Ella	09/07/17

CONFIDENTIAL THIS DRAWING AND ITS CONTENTS PROPERTY OF TIANJIN TUOFA ELECTRIC POWER TECHNOLOGY CO.,LTD. NO PUBLICATION, DISTRIBUTION OR COPIES MAY BE MADE WITHOUT THE WRITTEN CONSENT OF TIANJIN TUOFA ELECTRIC POWER TECHNOLOGY CO.,LTD. TIANJIN TUOFA ELECTRIC POWER TECHNOLOGY CO.,LTD UNPUBLISHED ALL RIGHTS RESERVED UNDER THE COPYRIGHT LAWS.

T-SLOT CHANNEL
EXTENSION



TTF POWER TECHNOLOGY CO.