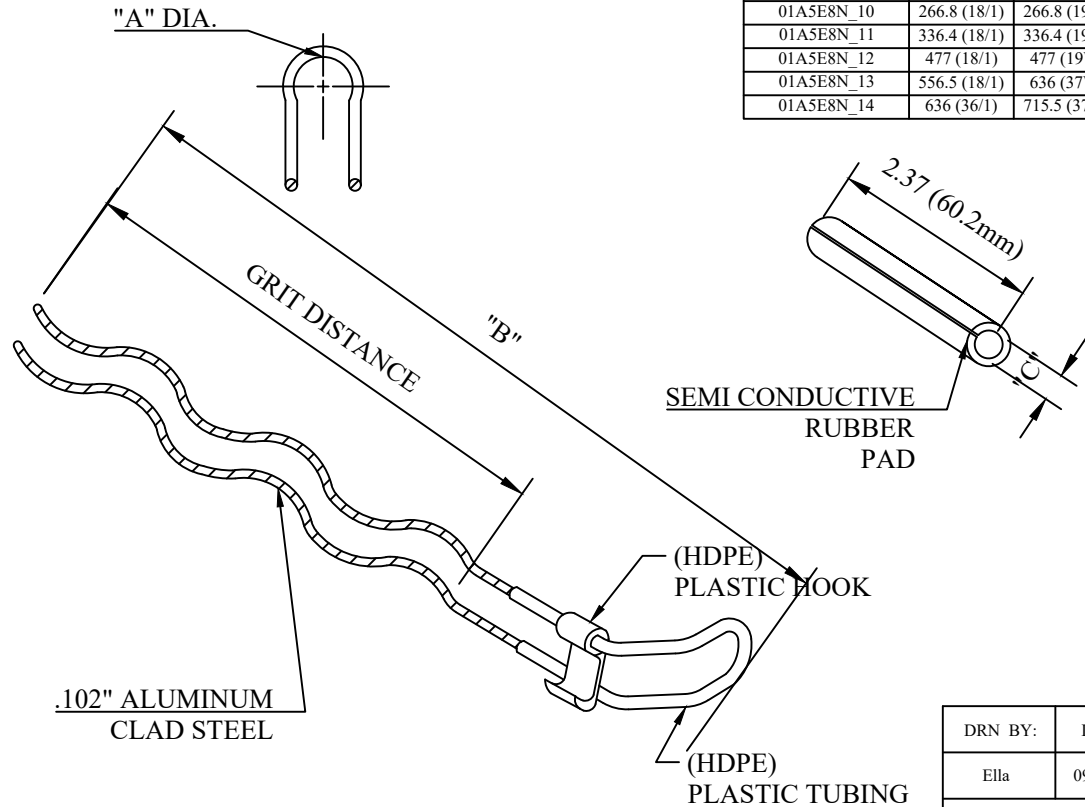


CATALOG NUMBER : 01A5E8N

| CATALOG NUMBER INSULATOR TYPE C.F.J. OR 53-2 | ALUMINUM-TYPE CONDUCTORS, TYPICAL SIZES | | | CONDUCTOR RANGE | | "A" | "B" | "C" | STD. PKG. QUAN. | | |
|--|--|-------------|-------------|-----------------|-----------|--------|-----------|-------|-----------------------|-------|----|
| | ACSR | AAC | AAAC | MIN. | MAX. | | | | | | |
| 01A5E8N_1 | #6 (6/1) | #6 (7W) | #6 (7W) | .184" | (4.67MM) | .22" | (5.59MM) | .46" | 14.7" | .19" | 50 |
| 01A5E8N_2 | #4 (6/1) | #4 (7W) | #4 (7W) | .221" | (5.61MM) | .257" | (6.53MM) | .46" | 14.7" | .19" | 50 |
| 01A5E8N_3 | - | #3 (7W) | #3 (7W) | .258" | (6.35MM) | .289" | (7.34MM) | .46" | 14.6" | .25" | 50 |
| 01A5E8N_4 | #2 (6/1) | #2 (7W) | #2 (7W) | .290" | (7.37MM) | .325" | (8.26MM) | .46" | 14.6" | .25" | 50 |
| 01A5E8N_5 | #1 (6/1) | #1 (7W) | #1 (7W) | .326" | (8.28MM) | .36" | (9.14MM) | .46" | 14.5" | .31" | 50 |
| 01A5E8N_6 | 1/0 (6/1) | 1/0 (7W) | 1/0 (7W) | .361" | (9.17MM) | .409" | (10.39MM) | .46" | 17.7" | .31" | 50 |
| 01A5E8N_7 | 2/0 (6/1) | 2/0 (7W) | 2/0 (7W) | .410" | (10.41MM) | .46" | (11.68MM) | .63" | 17.3" | .44" | 50 |
| 01A5E8N_8 | 3/0 (6/1) | 3/0 (7W) | 3/0 (7W) | .461" | (11.71MM) | .516" | (13.11MM) | .63" | 17.2" | .44" | 50 |
| 01A5E8N_9 | 4/0 (6/1) | 4/0 (7W) | 4/0 (7W) | .517" | (13.13MM) | .584" | (14.83MM) | .63" | 17.1" | .50" | 50 |
| 01A5E8N_10 | 266.8 (18/1) | 266.8 (19W) | 266.8 (19W) | .585" | (14.86MM) | .664" | (16.87MM) | .82" | 17.0" | .50" | 50 |
| 01A5E8N_11 | 336.4 (18/1) | 336.4 (19W) | 336.4 (19W) | .665" | (16.89MM) | .755" | (19.18MM) | .82" | 23.5" | .69" | 50 |
| 01A5E8N_12 | 477 (18/1) | 477 (19W) | 477 (19W) | .756" | (19.20MM) | .859" | (21.82MM) | .82" | 23.4" | .69" | 50 |
| 01A5E8N_13 | 556.5 (18/1) | 636 (37W) | 556.5 (19W) | .860" | (21.84MM) | .977" | (24.82MM) | 1.12" | 22.6" | .87" | 50 |
| 01A5E8N_14 | 636 (36/1) | 715.5 (37W) | 746.1 (37W) | .978" | (24.84MM) | 1.108" | (28.14MM) | 1.25" | 1.38" | 1.00" | 50 |



LEFT-HAND LAY STANDARD
PIN. POST AND SPOOL INSULATOR
ANSI CLASS C 2-1/4" NECK DIA.
ANSI CLASS F 2-7/8" NECK DIA.
ANSI CLASS J 3-1/2" NECK DIA.
ANSI CLASS F 1-3/4" NECK DIA.

SUPER TOP-TIE LINE TIES
FOR USE ON
ALUMINUM TYPE CONDUCTORS WITH ANSI
CLASS PIN. POST AND SPOOL INSULATORS
AND MANY NON-STANDARD INSULATORS.

| | |
|---|----------|
| DRN BY: | DATA |
| Ella | 09/07/17 |
| <small>CONFIDENTIAL THIS DRAWING AND ITS CONTENTS PROPERTY OF TIANJIN TUOFA ELECTRIC POWER TECHNOLOGY CO.,LTD. NO PUBLICATION, DISTRIBUTION OR COPIES MAY BE MADE WITHOUT THE WRITTEN CONSENT OF TIANJIN TUOFA ELECTRIC POWER TECHNOLOGY CO.,LTD. TIANJIN TUOFA ELECTRIC POWER TECHNOLOGY CO.,LTD UNPUBLISHED ALL RIGHTS RESERVED UNDER THE COPYRIGHT LAWS.</small> | |

**SUPER FORMED
WIRE TOP TIE**



TTF POWER TECHNOLOGY CO.