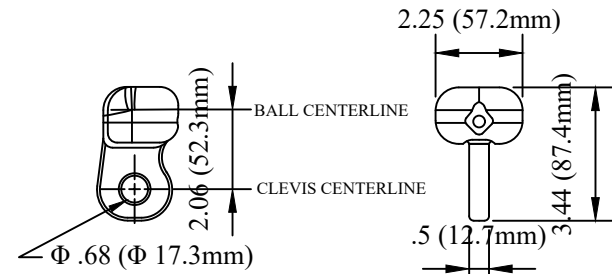
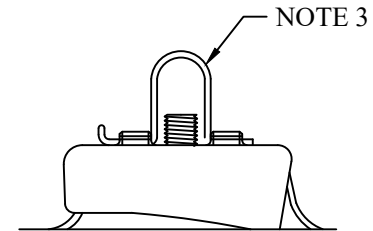
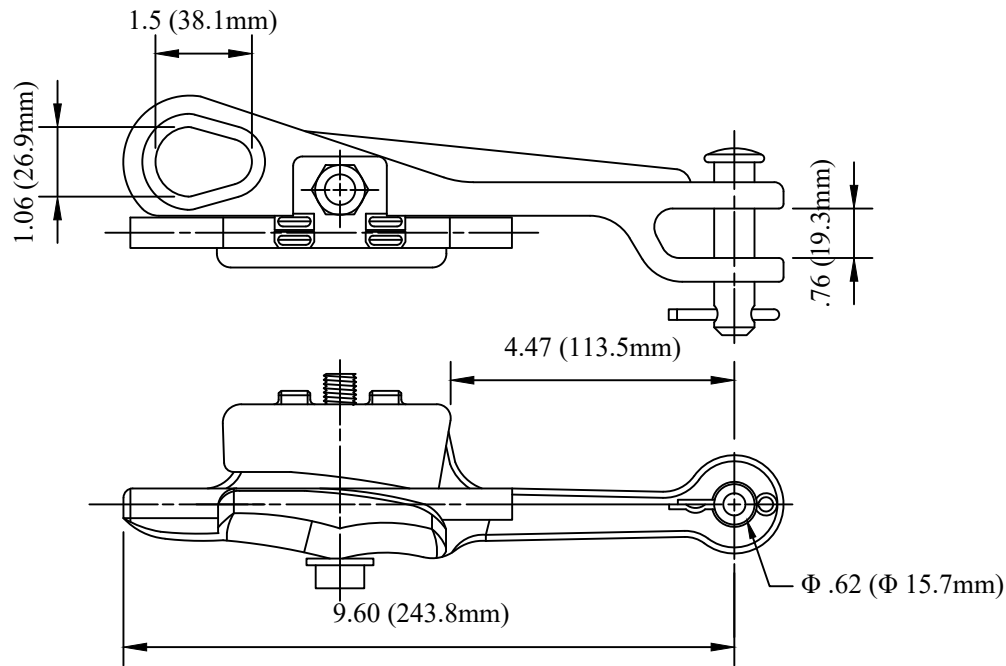
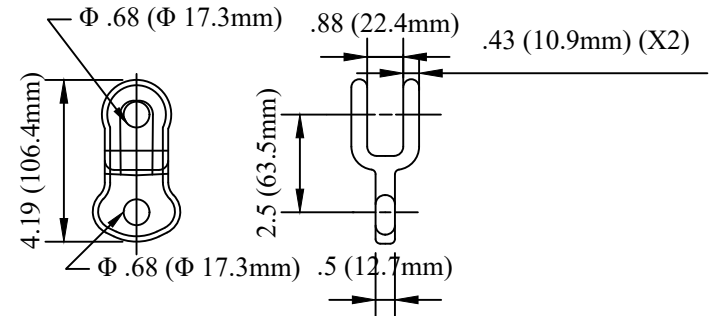


CATALOG NUMBER : 05B8L3L



SOCKET FITTING (TYPE SA)



CLEVIS FITTING (TYPE CA)

NOTES:

1.MATERIAL:

BODY & KEEPER - ALUMINUM ALLOY.
 BOLTS, NUT, WASHER, CLEVIS PIN: GALV. STEEL.
 COTTER PIN, SPRING - STAINLESS STEEL.

2.ADD SUFFIX "HP" FOR HEX PIN.

3.ADD SUFFIX "E" FOR LIFT EYE.

4.DIMENSIONS IN INCHES FOR REFERENCE ONLY.

5.CLAMPS WITH END FITTING MAY BE ORDERED BY
 CHANGING -N SUFFIX TO -S FOR SOCKET OR -C FOR CLEVIS IN CATALOG NUMBER.

DRN BY:	DATA
Ella	08/06/17
<small>CONFIDENTIAL THIS DRAWING AND ITS CONTENTS PROPERTY OF TIANJIN TUOFA ELECTRIC POWER TECHNOLOGY CO.,LTD. NO PUBLICATION, DISTRIBUTION OR COPIES MAY BE MADE WITHOUT THE WRITTEN CONSENT OF TIANJIN TUOFA ELECTRIC POWER TECHNOLOGY CO.,LTD. TIANJIN TUOFA ELECTRIC POWER TECHNOLOGY CO.,LTD UNPUBLISHED ALL RIGHTS RESERVED UNDER THE COPYRIGHT LAWS.</small>	

STRAIGHT LINE DEADEND
 WITH SINGLE BOLT



TTF POWER TECHNOLOGY CO.