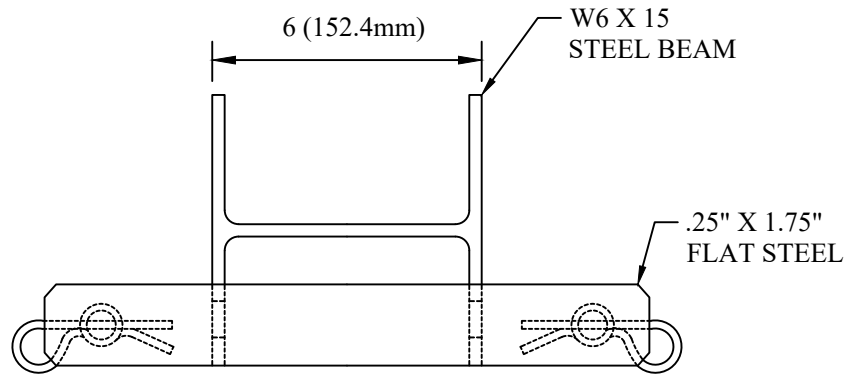
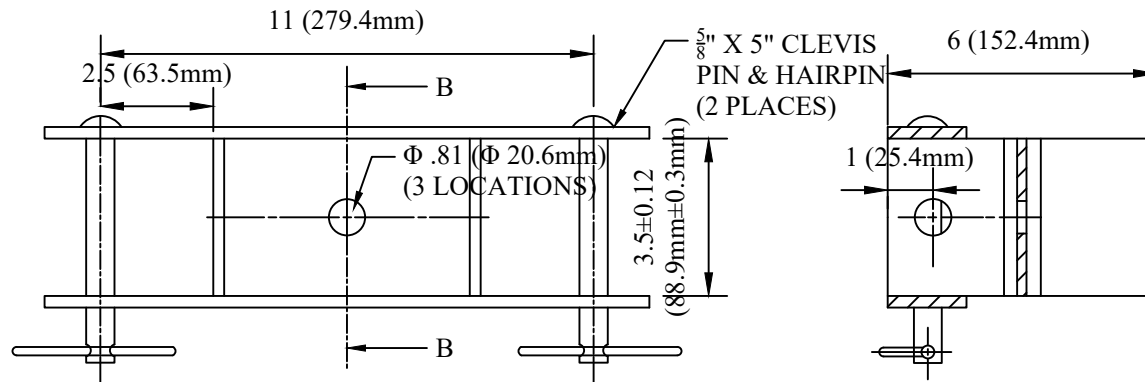


CATALOG NUMBER : 06K8G0M



NOTES:

- 1.MATERIAL: STEEL.
- 2.FINISH: HOT DIP GALVANIZE HAIRPIN FINISH: ZINC PLATED.



SECTION B-B

DRN BY:	DATA
Ella	09/07/17
<small>CONFIDENTIAL THIS DRAWING AND ITS CONTENTS PROPERTY OF TIANJIN TUOFA ELECTRIC POWER TECHNOLOGY CO.,LTD. NO PUBLICATION, DISTRIBUTION OR COPIES MAY BE MADE WITHOUT THE WRITTEN CONSENT OF TIANJIN TUOFA ELECTRIC POWER TECHNOLOGY CO.,LTD. TIANJIN TUOFA ELECTRIC POWER TECHNOLOGY CO.,LTD UNPUBLISHED ALL RIGHTS RESERVED UNDER THE COPYRIGHT LAWS.</small>	

SECONDARY SERVICE
DEADEND BRACKET



TTF POWER TECHNOLOGY CO.