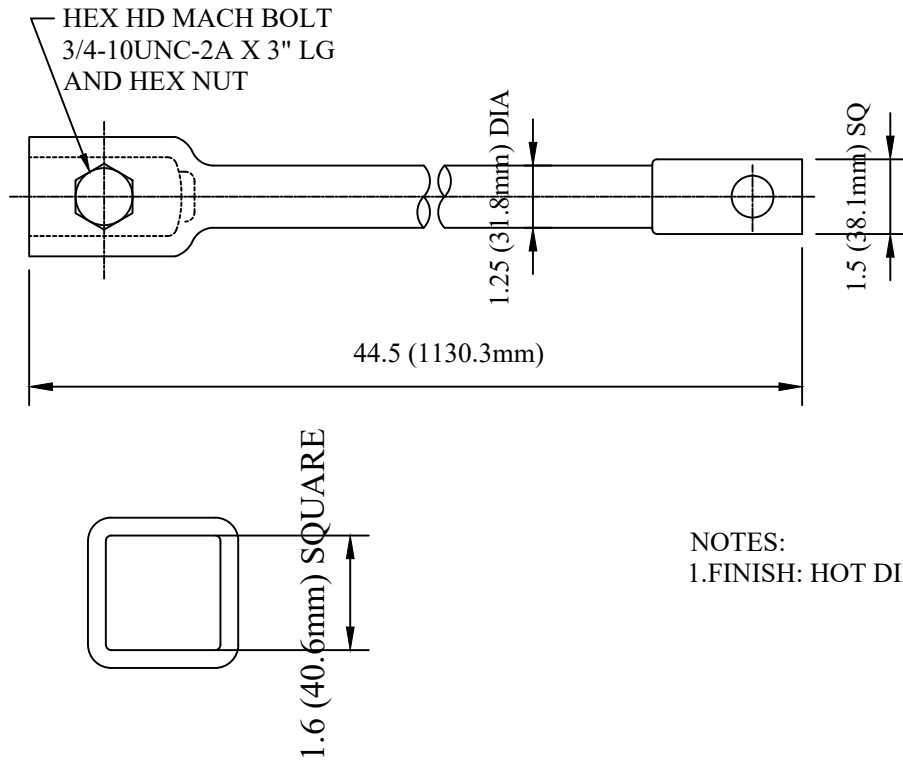


CATALOG NUMBER : 03C0T0Z



NOTES:  
1.FINISH: HOT DIP GALVANIZE PER ASTM A153(LATEST REVISION).

DRN BY:	DATA
Ella	09/07/17
<small>CONFIDENTIAL THIS DRAWING AND ITS CONTENTS PROPERTY OF TIANJIN TUOFA ELECTRIC POWER TECHNOLOGY CO.,LTD. NO PUBLICATION, DISTRIBUTION OR COPIES MAY BE MADE WITHOUT THE WRITTEN CONSENT OF TIANJIN TUOFA ELECTRIC POWER TECHNOLOGY CO.,LTD. TIANJIN TUOFA ELECTRIC POWER TECHNOLOGY CO.,LTD UNPUBLISHED ALL RIGHTS RESERVED UNDER THE COPYRIGHT LAWS.</small>	

ROUND ROD  
ANCHOR EXTENSION



TTF POWER TECHNOLOGY CO.