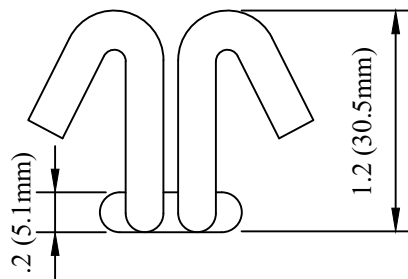
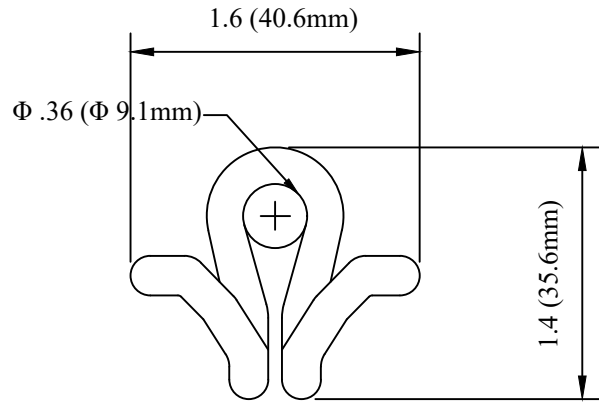
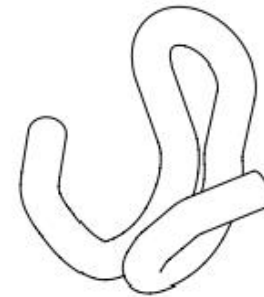


CATALOG NUMBER : 06N8H2U



NOTES:

- 1.PROVIDES DROP WIRE CLAMP ATTACHMENTS AT HOUSE.
- 2.GALVANIZED STEEL.
- 3.MOUNTING HOLE .36".



DRN BY:	DATA
Ella	08/06/17

CONFIDENTIAL THIS DRAWING AND ITS CONTENTS PROPERTY OF TIANJIN TUOFA ELECTRIC POWER TECHNOLOGY CO.,LTD. NO PUBLICATION, DISTRIBUTION OR COPIES MAY BE MADE WITHOUT THE WRITTEN CONSENT OF TIANJIN TUOFA ELECTRIC POWER TECHNOLOGY CO.,LTD. TIANJIN TUOFA ELECTRIC POWER TECHNOLOGY CO.,LTD UNPUBLISHED ALL RIGHTS RESERVED UNDER THE COPYRIGHT LAWS.

RAM'S HORN  
HOOK



TTF POWER TECHNOLOGY CO.