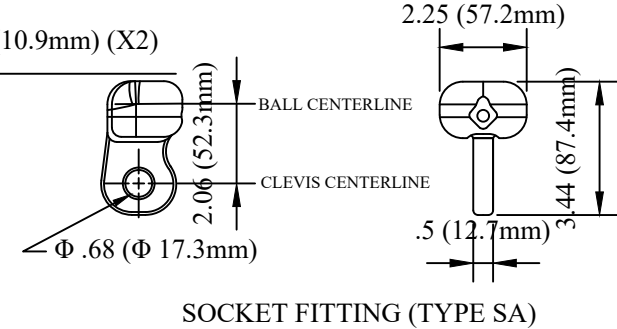
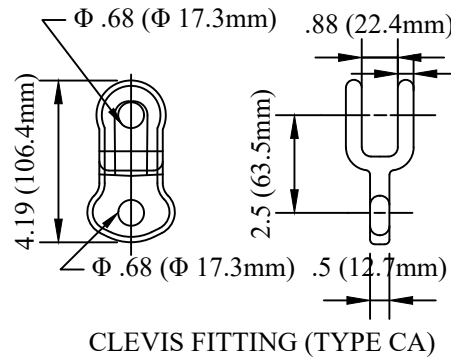
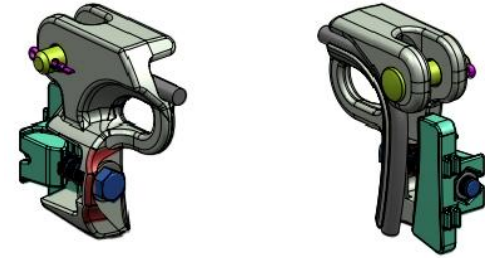
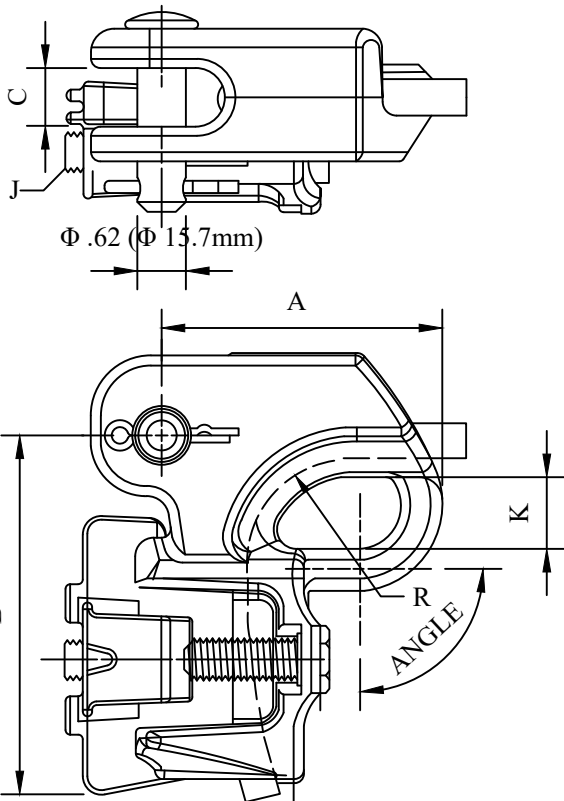


CATALOG NUMBER : 05B2W5P


CATALOG NUMBER	CABLE RANGE						DIMENSIONS IN INCHES						ULT. STR. (LBS.)		TORQUE FT-LBS	
	INCHES		ACSR		ALUMINUM		A	B	C	J	K	R	ANGLE	BODY		SAGEYE
	MIN.	MAX.	MIN.	MAX.	MIN.	MAX.										
05B2W5P	.19 (4.9)	.48 (12.2)	#6 (6/1)	2/0 (6/1)	#4 (7 STR)	2/0 (19 STR)	3.651 (92.7)	4.618 (117.3)	.748 (19.0)	1/2-13 (24.0)	.945 (24.0)	1.37 (34.8)	90°	8,000	6,000	45



- NOTES:
 1. MATERIAL:
 BODY & KEEPER - ALUMINUM ALLOY.
 BOLTS & NUTS - GALV. STEEL.
 CLEVIS PIN - GALV. STEEL.
 COTTER PIN - STAINLESS STEEL.
 CLEVIS OR SOCKET FITTING - DUCTILE IRON, HOT DIP GALV.
 2. DIMENSIONS IN INCHES FOR REFERENCE ONLY

DRN BY:	DATA
Ella	08/06/17
<small>CONFIDENTIAL THIS DRAWING AND ITS CONTENTS PROPERTY OF TIANJIN TUOFA ELECTRIC POWER TECHNOLOGY CO.,LTD. NO PUBLICATION, DISTRIBUTION OR COPIES MAY BE MADE WITHOUT THE WRITTEN CONSENT OF TIANJIN TUOFA ELECTRIC POWER TECHNOLOGY CO.,LTD. TIANJIN TUOFA ELECTRIC POWER TECHNOLOGY CO.,LTD UNPUBLISHED ALL RIGHTS RESERVED UNDER THE COPYRIGHT LAWS.</small>	

QUADRANT SPRING LOADED DEADEND



TTF POWER TECHNOLOGY CO.