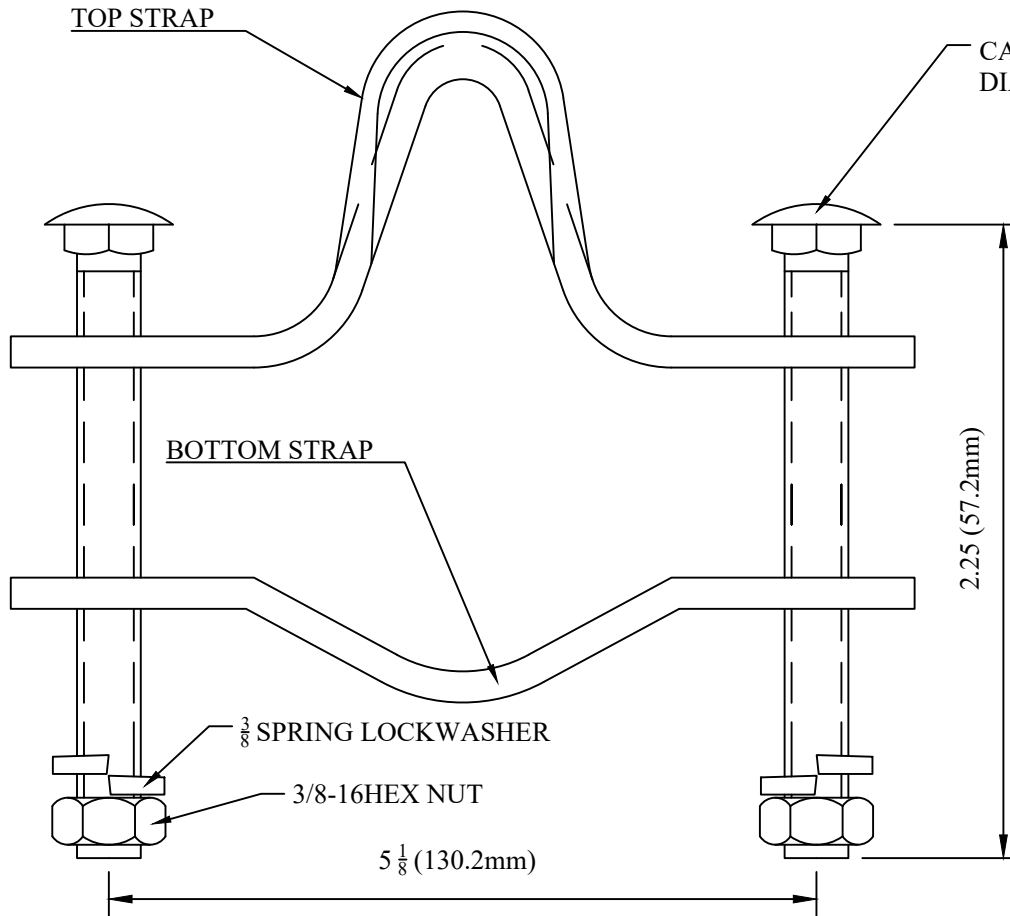


CATALOG NUMBER : 06K8U11



NOTES:
1.HOT DIP GALVANIZE PER ASTM A153.

DRN BY:	DATA
Ella	09/07/17

CONFIDENTIAL THIS DRAWING AND ITS CONTENTS PROPERTY OF TIANJIN TUOFA ELECTRIC POWER TECHNOLOGY CO.,LTD. NO PUBLICATION, DISTRIBUTION OR COPIES MAY BE MADE WITHOUT THE WRITTEN CONSENT OF TIANJIN TUOFA ELECTRIC POWER TECHNOLOGY CO.,LTD. TIANJIN TUOFA ELECTRIC POWER TECHNOLOGY CO.,LTD UNPUBLISHED ALL RIGHTS RESERVED UNDER THE COPYRIGHT LAWS.

PIPE-MOUNTED SERVICE DEADEND BRACKET



TTF POWER TECHNOLOGY CO.