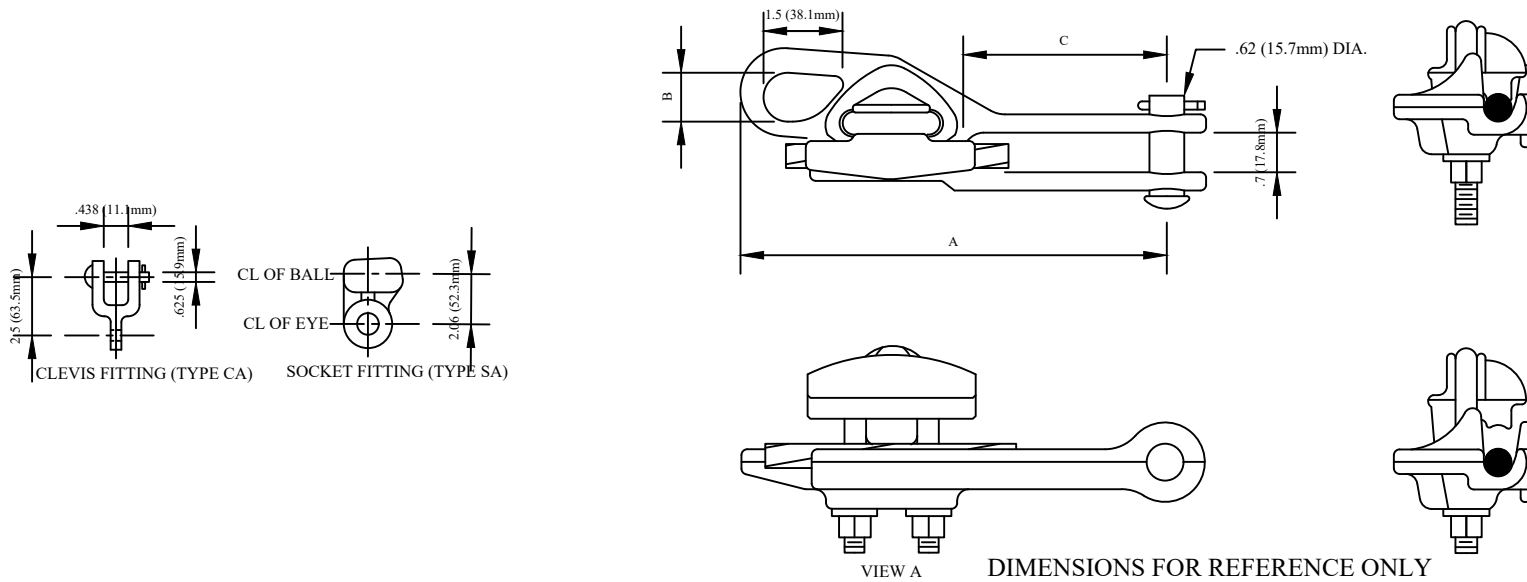


CATALOG NUMBER : 05B9B9B

CATALOG NUMBER	U-BOLTS		CLAMPING RANGE						ULT. STR. (LBS)		DIMENSION IN INCHES (MM)		
			COPPER		INCHES		INCHES		BODY	SAG EYE	A	B	C
	NO.	SIZE	MIN.	MAX.	MIN.	MAX.	MIN.	MAX.					
05B9B9B_1N	1	.50	#6 (SOL.)	4/0 (19 STR.)	.16	.57	.19	.48	8,000	8,000	8.62 (218.9)	1 (25.4)	3.75 (95.3)



NOTE:

1. MATERIAL - BODY AND KEEPER: BRONZE ALLOY 112.
 U-BOLTS, WASHERS, NUTS AND CLEVIS PIN: GALV. STEEL
 COTTER PIN AND SPRING CLIP: STAINLESS STEEL
 SOCKET OR CLEVIS FITTING: GALV. DUCTILE IRON
2. FOR A HEX CLEVIS PIN ADD SUFFIX - HP TO CATALOG NUMBER.

DRN BY:	DATA
Ella	08/06/17
<small>CONFIDENTIAL THIS DRAWING AND ITS CONTENTS PROPERTY OF TIANJIN TUOFA ELECTRIC POWER TECHNOLOGY CO.,LTD. NO PUBLICATION, DISTRIBUTION OR COPIES MAY BE MADE WITHOUT THE WRITTEN CONSENT OF TIANJIN TUOFA ELECTRIC POWER TECHNOLOGY CO.,LTD. TIANJIN TUOFA ELECTRIC POWER TECHNOLOGY CO.,LTD UNPUBLISHED ALL RIGHTS RESERVED UNDER THE COPYRIGHT LAWS.</small>	

**NONE FITTINGS STRAIGHT
LINE DEADEND**



TTF POWER TECHNOLOGY CO.