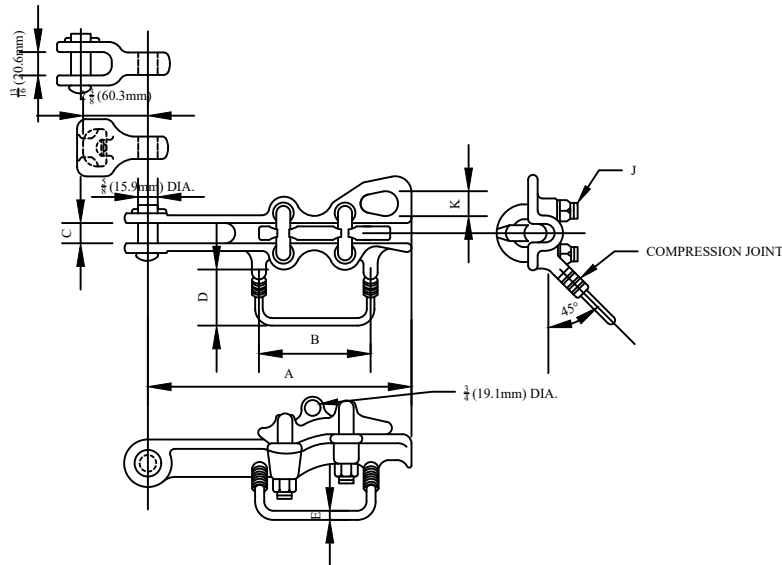


CATALOG NUMBER : 05B3L1A

| CATALOG NUMBER | TYPE FITTING | MIN. CABLE DIA. | MAX. CABLE DIA. | DIMENSIONS IN INCHES | | | | | | ULTIMATE STRENGTH | |
|----------------|--------------|-----------------|-----------------|-------------------------------|--------------------------------|-----------------------------|-----------------------------|---------------------------------|---------------------------|-----------------------------|--------|
| | | | | A | B | C | D | E SIZE | J | | K |
| 05B3L1A_1-S | SOCKET | .18 (4.6mm) | .46 (11.7mm) | 7 $\frac{1}{2}$ (190.5mm) | 4 (101.6mm) | $\frac{3}{4}$ (19.1mm) | 2 (50.8mm) | .289 (7.3mm) #1 | $\frac{3}{8}$ (9.5mm) | $\frac{7}{8}$ (22.2mm) | 4,000# |
| 05B3L1A_2-C | CLEVIS | | | | | | | | | | |
| 05B3L1A_3-N | NONE | | | | | | | | | | |
| 05B3L1A_4-S | SOCKET | .36 (9.1mm) | .60 (15.2mm) | 9 $\frac{5}{8}$ (244.5mm) | 4 (101.6mm) | $\frac{3}{4}$ (19.1mm) | 3 $\frac{1}{4}$ (78.0mm) | .325 (8.3mm) # $\frac{1}{0}$ | $\frac{1}{2}$ (15.7mm) | 1 $\frac{5}{14}$ (4.7mm) | 8,000# |
| 05B3L1A_5-C | CLEVIS | | | | | | | | | | |
| 05B3L1A_6-N | NONE | | | | | | | | | | |
| 05B3L1A_7-S | SOCKET | .46 (11.7mm) | .70 (18.0mm) | 10 $\frac{3}{4}$ (273.1mm) | 4 $\frac{31}{32}$ (126.2mm) | $\frac{3}{4}$ (19.1mm) | 2 $\frac{1}{8}$ (54.0mm) | .325 (8.3mm) # $\frac{1}{0}$ | $\frac{1}{2}$ (15.7mm) | 1 $\frac{5}{14}$ (4.7mm) | 8,000# |
| 05B3L1A_8-C | CLEVIS | | | | | | | | | | |
| 05B3L1A_9-N | NONE | | | | | | | | | | |
| 05B3L1A_10-S | SOCKET | .52 (13.2mm) | .86 (21.8mm) | 11 (279.4mm) | $\frac{15}{16}$ (23.8mm) | $\frac{15}{16}$ (23.8mm) | 2 $\frac{1}{4}$ (57.2mm) | .365 (9.3mm) #2/0 | $\frac{1}{2}$ (15.7mm) | 1 $\frac{5}{14}$ (4.7mm) | 8,000# |
| 05B3L1A_11-C | CLEVIS | | | | | | | | | | |
| 05B3L1A_12-N | NONE | | | | | | | | | | |



NOTES:

- 1.MATERIAL: BODY AND RIDER #356T6 ALUMINUM ALLOY.
- 2.LOOP - HARD DRAWN COPPER.
- 3.SOCKETS AND CLEVIS - 654512 DUCTILE IRON.
- 4.HARDWARE - GALVANIZED STEEL WITH STAINLESS STEEL COTTER KEY LOCKWASHERS MAY BE MECHANICAL PLATED OR HOT DIP GALV. STEEL.

| | |
|---|----------|
| DRN BY: | DATA |
| Ella | 09/07/17 |
| <small>CONFIDENTIAL THIS DRAWING AND ITS CONTENTS PROPERTY OF TIANJIN TUOFA ELECTRIC POWER TECHNOLOGY CO.,LTD. NO PUBLICATION, DISTRIBUTION OR COPIES MAY BE MADE WITHOUT THE WRITTEN CONSENT OF TIANJIN TUOFA ELECTRIC POWER TECHNOLOGY CO.,LTD. TIANJIN TUOFA ELECTRIC POWER TECHNOLOGY CO.,LTD UNPUBLISHED ALL RIGHTS RESERVED UNDER THE COPYRIGHT LAWS.</small> | |

NON-FITTING STRAIGHT LINE STIRRUP CLAMP DEADEND



TTF POWER TECHNOLOGY CO.