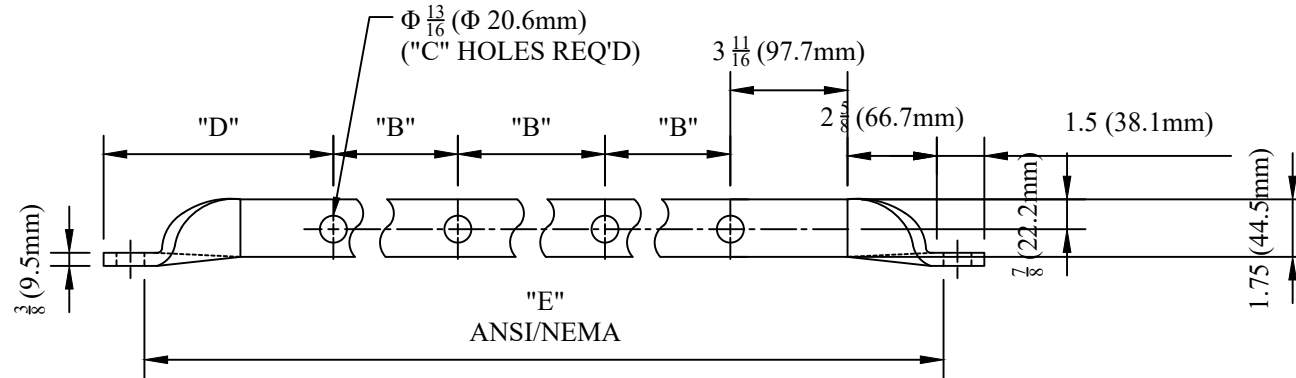


CATALOG NUMBER : 04A2P1F



NOTES:

- MATERIAL: $\frac{3}{8}$ " X 1-3/4" X . . LG.
ASTM A663. GR. 55 PER DZ33A.
ALT. MAT'L: DZ31A, Z2A, M1008
- FINISH: HOT DIP GALVANIZE PER ASTM A153(LATEST REVISION).

CATALOG NUMBER	"A"	"B"	"C"	"D"	"E"	PART NAME
04A2P1F_1	14-3/4	N/A	1	6-7/16	13	UNDERGROUND RACK
04A2P1F_2	21-3/4	7	2	6-7/16	20	UNDERGROUND RACK
04A2P1F_3	28-3/4	7	3	6-7/16	27	UNDERGROUND RACK
04A2P1F_4	35-3/4	7	4	6-7/16	34	UNDERGROUND RACK
04A2P1F_5	42-3/4	7	5	6-7/16	41	UNDERGROUND RACK
04A2P1F_6	34-3/4	2	11	6-7/16	33-1/8	UNDERGROUND RACK
04A2P1F_7	29-3/4	8-5/8	3	4-1/4	28	UNDERGROUND RACK
04A2P1F_8	38-3/4	8-5/8	4	4-1/4	37	UNDERGROUND RACK
04A2P1F_9	28-3/4	3-1/2	5	6-7/16	27	UNDERGROUND RACK
04A2P1F_10	42-3/4	3-1/2	9	6-7/16	41	UNDERGROUND RACK
04A2P1F_11	56-3/4	3-1/2	13	6-7/16	55	UNDERGROUND RACK

DRN BY:	DATA
Ella	09/07/17
<small>CONFIDENTIAL-THIS DRAWING AND ITS CONTENTS PROPERTY OF TIANJIN TUOFA ELECTRIC POWER TECHNOLOGY CO.,LTD. NO PUBLICATION, DISTRIBUTION OR COPIES MAY BE MADE WITHOUT THE WRITTEN CONSENT OF TIANJIN TUOFA ELECTRIC POWER TECHNOLOGY CO.,LTD. TIANJIN TUOFA ELECTRIC POWER TECHNOLOGY CO.,LTD UNPUBLISHED ALL RIGHTS RESERVED UNDER THE COPYRIGHT LAWS.</small>	

NOB-LOC UNDERGROUND CABLE RACK



TTF POWER TECHNOLOGY CO.