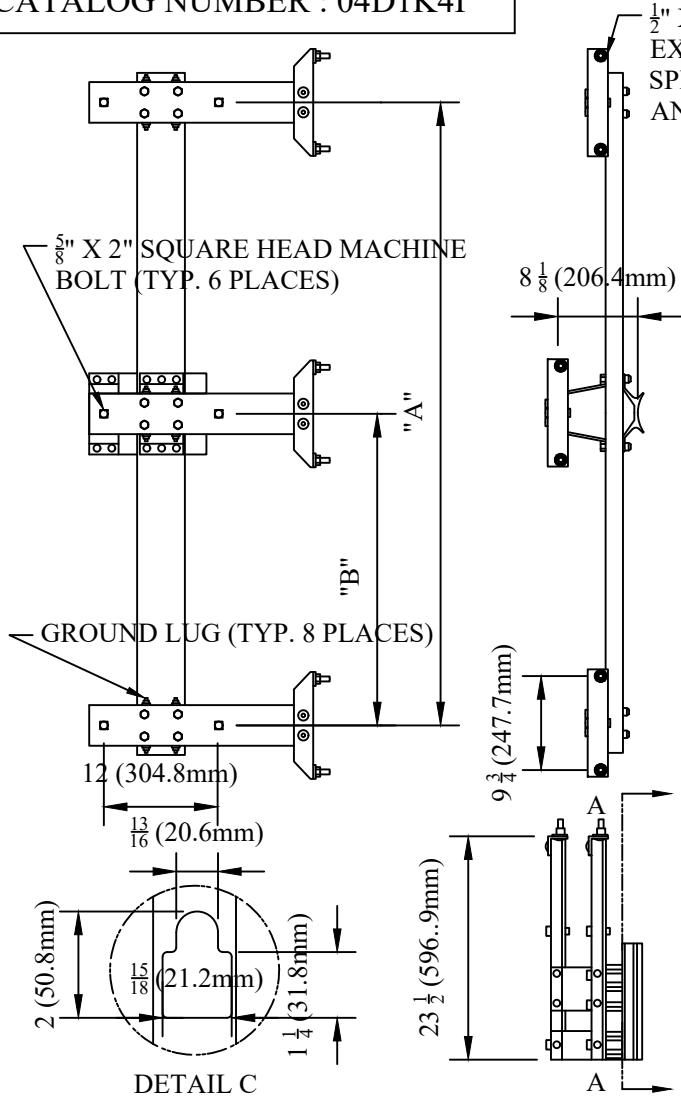


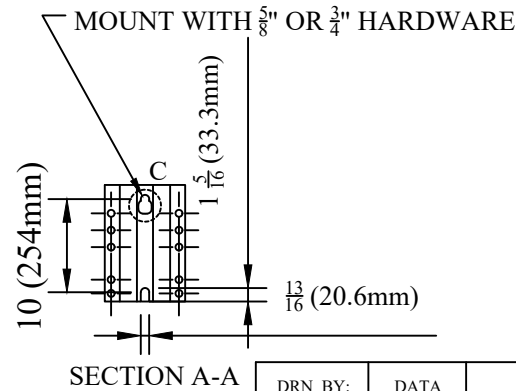
CATALOG NUMBER : 04D1K4I



$\frac{1}{2}$ " X $2\frac{1}{2}$ " CARRIAGE BOLT,
EXT. TOOTH LOCKWASHER,
SPLIT RING LOCKWASHER
AND HEX NUT. (TYP. 6 PLACES.)

NOTES:
1.MATERIAL: ALUMINUM (RACK BODY)
GALVANIZED STEEL (HARDWARE)
2.ASSEMBLED COMPLETE AS SHOWN.

CATALOG NUMBER	"A"	"B"
04D1K4I_1	66 (1676.4mm)	33 (838.2mm)
04D1K4I_2	84 (2133.6mm)	42 (1066.8mm)



DRN BY:	DATA
Ella	09/07/17

LIGHTWEIGHT THREE POSITION
BRACKET

CONFIDENTIAL THIS DRAWING AND ITS
CONTENTS PROPERTY OF TIANJIN
TUOFA ELECTRIC POWER TECHNOLOGY
CO.,LTD. NO PUBLICATION,
DISTRIBUTION OR COPIES MAY BE
MADE WITHOUT THE WRITTEN
CONSENT OF TIANJIN TUOFA ELECTRIC
POWER TECHNOLOGY CO.,LTD.
TIANJIN TUOFA ELECTRIC POWER
TECHNOLOGY CO.,LTD UNPUBLISHED
ALL RIGHTS RESERVED UNDER THE
COPYRIGHT LAWS.



TTF POWER TECHNOLOGY CO.