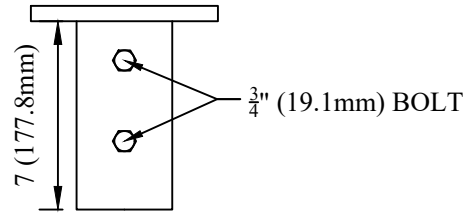
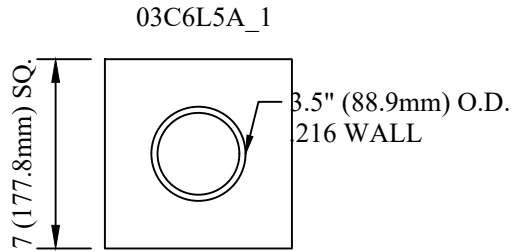
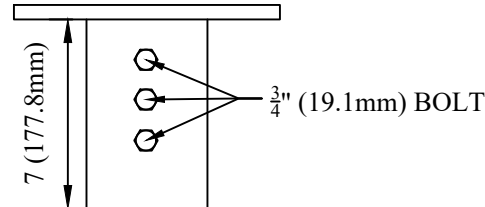
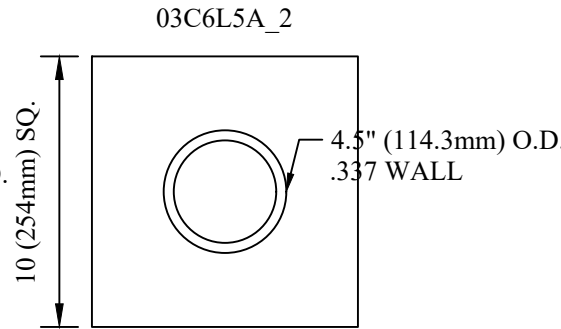


CATALOG NUMBER : 03C6L5A



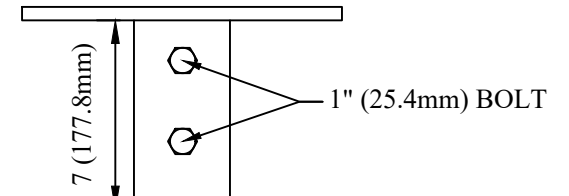
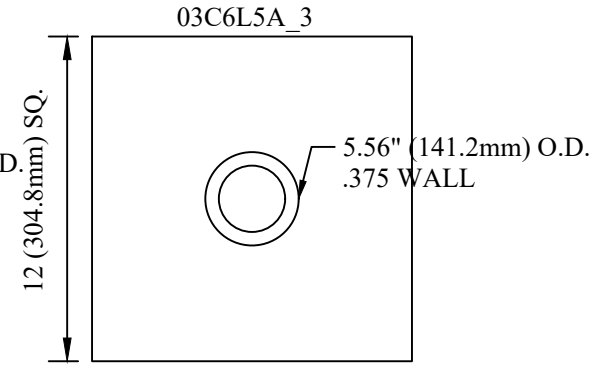
TO ACCEPT
2.875" (73mm) PIPE
SHAFT

COMPRESSIVE STRENGTH: 72KIP
TENSILE STRENGTH: 72KIP



TO ACCEPT
3.5 (88.9mm) PIPE
SHAFT

COMPRESSIVE STRENGTH: 120KIP
TENSILE STRENGTH: 120KIP



TO ACCEPT
4.5 (114.3mm) PIPE
SHAFT

COMPRESSIVE STRENGTH: 130KIP
TENSILE STRENGTH: 130KIP

NOTES:

- FINISH: STANDARD CATALOG NUMBER IS MILL FINISH STEEL.
TO ORDER GALVANIZED FINISH ADD "G" TO STANDARD CATALOG NUMBER.
- MATERIAL SPECIFICATIONS:
PLATED: HOT ROLLED STEEL PLATE PER ASTM A572 GRADE 50.
PIPE: ERW PIPE PER ASTM A53 GRADE B OR PER ASTM A500 GRADE 50.
BOLTS: 3/4" BOLTS PER SAE J429 GRADE 5.
1" BOLTS PER GRADE 8.

DRN BY:	DATA
Ella	08/06/17
<small>CONFIDENTIAL THIS DRAWING AND ITS CONTENTS PROPERTY OF TIANJIN TUOFA ELECTRIC POWER TECHNOLOGY CO.,LTD. NO PUBLICATION, DISTRIBUTION OR COPIES MAY BE MADE WITHOUT THE WRITTEN CONSENT OF TIANJIN TUOFA ELECTRIC POWER TECHNOLOGY CO.,LTD. TIANJIN TUOFA ELECTRIC POWER TECHNOLOGY CO.,LTD UNPUBLISHED ALL RIGHTS RESERVED UNDER THE COPYRIGHT LAWS.</small>	

HELICAL ANCHOR CAP



TTF POWER TECHNOLOGY CO.