

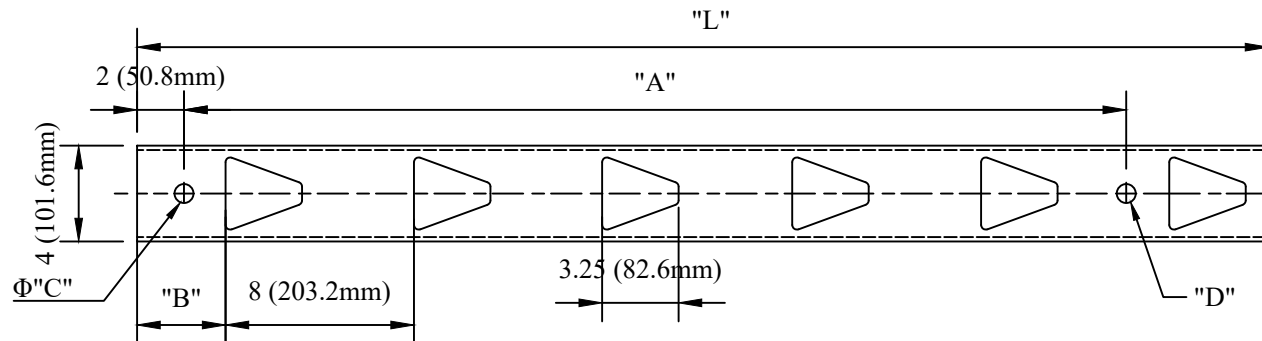
CATALOG NUMBER : 04A0I4S

NOTES:

1.MATERIAL: STEEL.

2.FINISH: HOT DIP GALVANIZE PER ASTM A153(LATEST REVISION).

CATALOG NUMBER	"L"	"A"	"B"	"C"	"D"	"N"
04A0I4S_1	24	16	3.75	0.75	Φ0.75	3
04A0I4S_2	32	24	3.75	0.75	Φ0.75	4
04A0I4S_3	48	40	3.75	0.75	Φ0.75	6
04A0I4S_4	8	-	3.88	0.88	8	1
04A0I4S_5	16	7.5	3.88	0.88	0.94 X 2.5 SLOT	2



DRN BY:	DATA
Ella	09/07/17
<small>CONFIDENTIAL THIS DRAWING AND ITS CONTENTS PROPERTY OF TIANJIN TUOFA ELECTRIC POWER TECHNOLOGY CO.,LTD. NO PUBLICATION, DISTRIBUTION OR COPIES MAY BE MADE WITHOUT THE WRITTEN CONSENT OF TIANJIN TUOFA ELECTRIC POWER TECHNOLOGY CO.,LTD. TIANJIN TUOFA ELECTRIC POWER TECHNOLOGY CO.,LTD UNPUBLISHED ALL RIGHTS RESERVED UNDER THE COPYRIGHT LAWS.</small>	

HEAVY CABLE  
RACK



TTF POWER TECHNOLOGY CO.