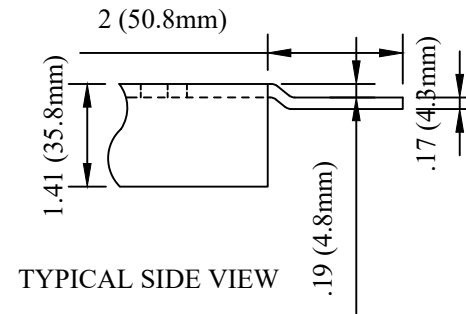
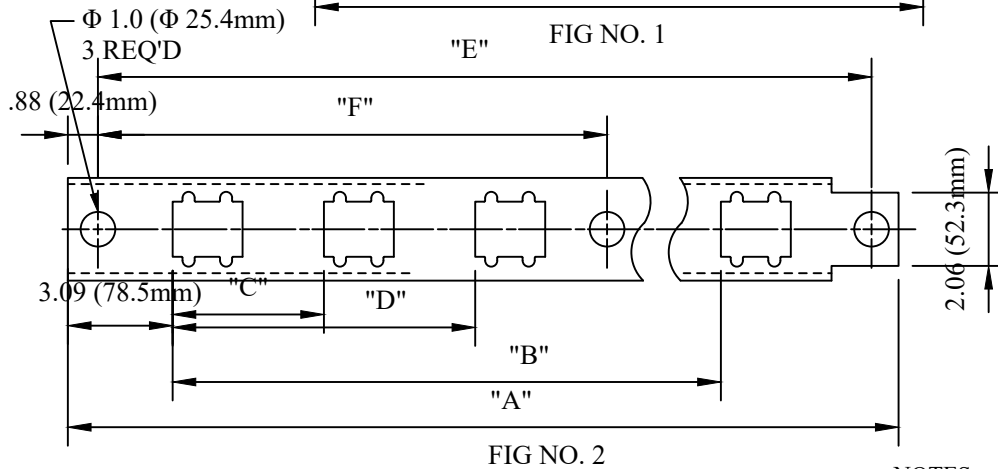
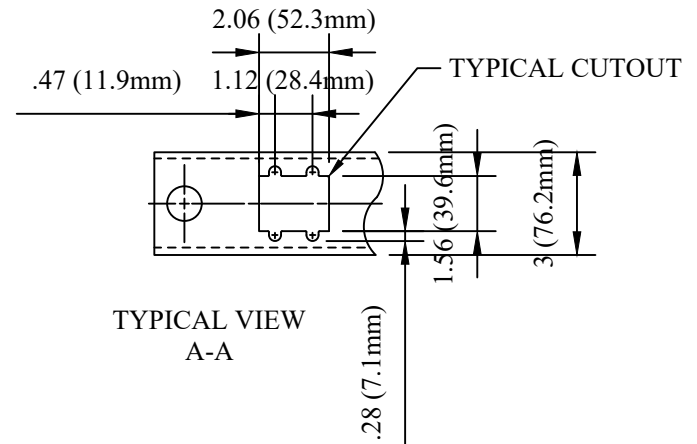
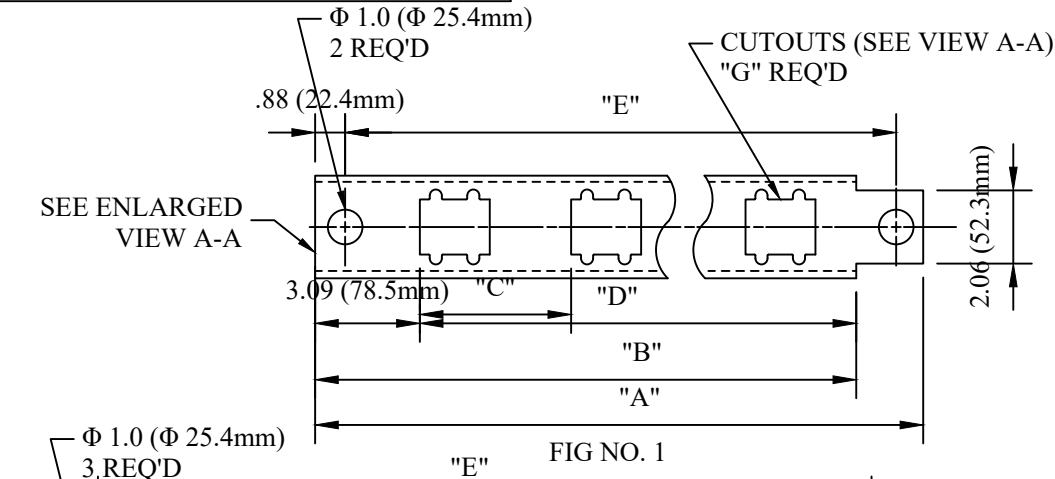


CATALOG NUMBER : 04A0S8Z



NOTES:

- 1.MATERIAL: 3"-4.1 # X LG STEEL CHANNEL PER ASTM A36 (LATEST REVISION).
- 2.FINISH: HOT DIP GALVANIZE PER ASTM A153(LATEST REVISION).

CATALOG NUMBER	"A"	"B"	"C"	"D"	"E"	"F"	"G"	"H"	FIG NO.
04A0S8Z_1	35-1/4	33-3/8	4-1/2	27	33-1/2	14-5/8	7	6	2
04A0S8Z_2	30-3/4	28-7/8	4-1/2	22-1/2	29	N/A	6	5	1
04A0S8Z_3	26-1/4	24-3/8	4-1/2	18	24-1/2	N/A	5	4	1
04A0S8Z_4	21-3/4	19-7/8	4-1/2	13-1/2	20	N/A	4	3	1
04A0S8Z_5	17-1/4	15-3/8	4-1/2	9	15-1/2	N/A	3	2	1
04A0S8Z_6	8-1/4	6-3/8	N/A	N/A	6-1/2	N/A	1	-	1

DRN BY:	DATA
Ella	09/07/17
<small>CONFIDENTIAL THIS DRAWING AND ITS CONTENTS PROPERTY OF TIANJIN TUOFA ELECTRIC POWER TECHNOLOGY CO.,LTD. NO PUBLICATION, DISTRIBUTION OR COPIES MAY BE MADE WITHOUT THE WRITTEN CONSENT OF TIANJIN TUOFA ELECTRIC POWER TECHNOLOGY CO.,LTD. TIANJIN TUOFA ELECTRIC POWER TECHNOLOGY CO.,LTD UNPUBLISHED ALL RIGHTS RESERVED UNDER THE COPYRIGHT LAWS.</small>	

H-SLOT CHANNEL
CABLE RACK



TTF POWER TECHNOLOGY CO.