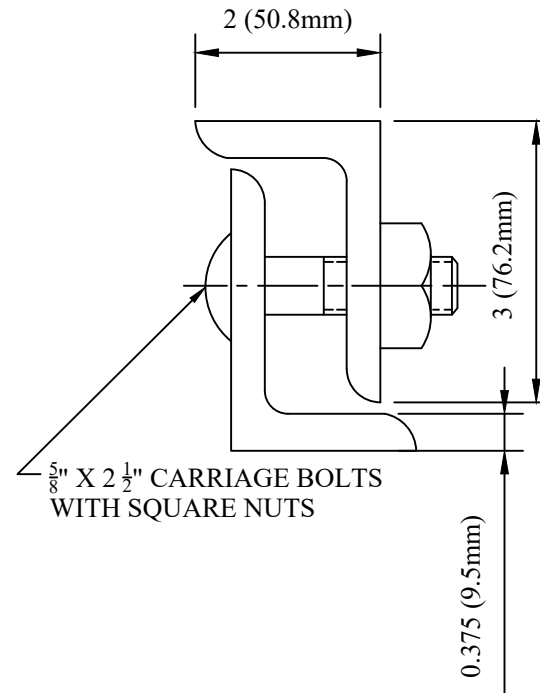
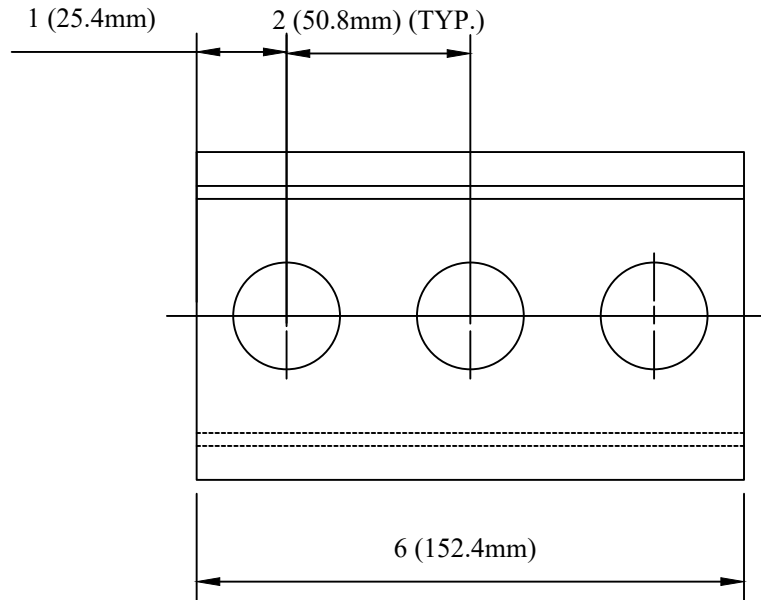


CATALOG NUMBER : 04B4V4A



NOTES:

- 1.MATERIAL: STEEL, HOT DIP GALVANIZE PER ASTM A153(LATEST REVISION).
- 2.ASSEMBLED COMPLETE AS SHOWN.

DRN BY:	DATA
Ella	08/06/17
<small>CONFIDENTIAL THIS DRAWING AND ITS CONTENTS PROPERTY OF TIANJIN TUOFA ELECTRIC POWER TECHNOLOGY CO.,LTD. NO PUBLICATION, DISTRIBUTION OR COPIES MAY BE MADE WITHOUT THE WRITTEN CONSENT OF TIANJIN TUOFA ELECTRIC POWER TECHNOLOGY CO.,LTD. TIANJIN TUOFA ELECTRIC POWER TECHNOLOGY CO.,LTD UNPUBLISHED ALL RIGHTS RESERVED UNDER THE COPYRIGHT LAWS.</small>	

GUY ROD CLAMP

TTF POWER TECHNOLOGY CO.