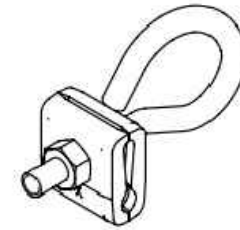
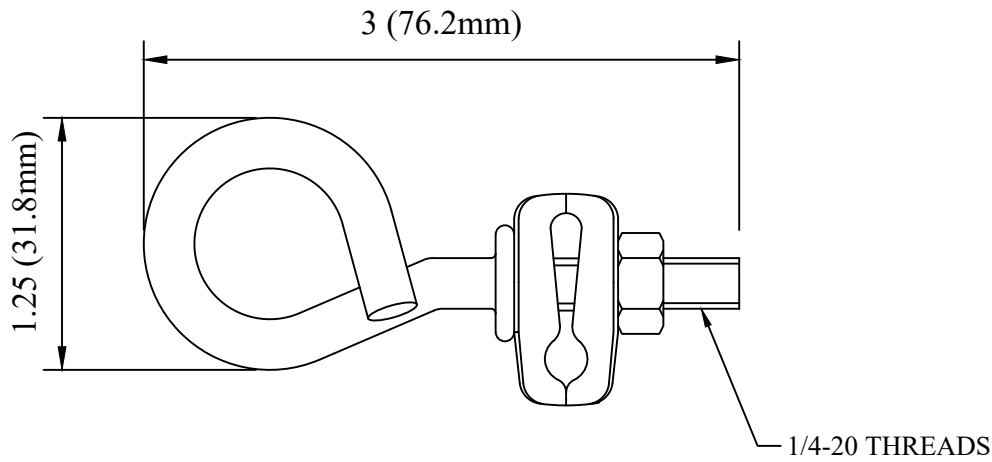


CATALOG NUMBER : 04B7R3J

NOTES:

1. PROVIDES DROP WIRE CLAMP ATTACHMENTS AT MID SPAN.
2. ACCEPTS STRAND SIZE RANGE OF $\frac{1}{4}$ "-7/16".
3. CLAMP PLATES, GALVANIZED STEEL.
4. HARDWARE $\frac{1}{4}$ " GALVANIZED.
5. THREADS STAKED TO PREVENT LOSS OF NUT.



DRN BY:	DATA
Ella	09/07/17

CONFIDENTIAL THIS DRAWING AND ITS CONTENTS PROPERTY OF TIANJIN TUOFA ELECTRIC POWER TECHNOLOGY CO.,LTD. NO PUBLICATION, DISTRIBUTION OR COPIES MAY BE MADE WITHOUT THE WRITTEN CONSENT OF TIANJIN TUOFA ELECTRIC POWER TECHNOLOGY CO.,LTD. TIANJIN TUOFA ELECTRIC POWER TECHNOLOGY CO.,LTD UNPUBLISHED ALL RIGHTS RESERVED UNDER THE COPYRIGHT LAWS.

GALVANIZED STEEL
Q SPAN CLAMP



TTF POWER TECHNOLOGY CO.