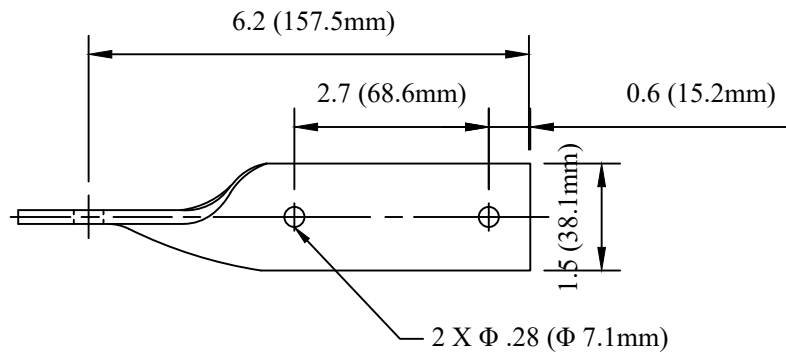
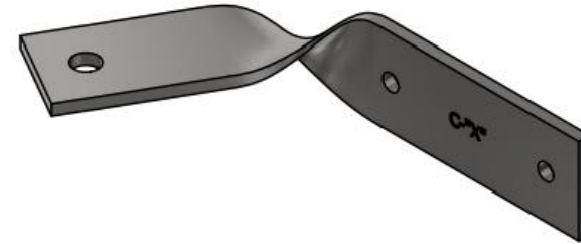
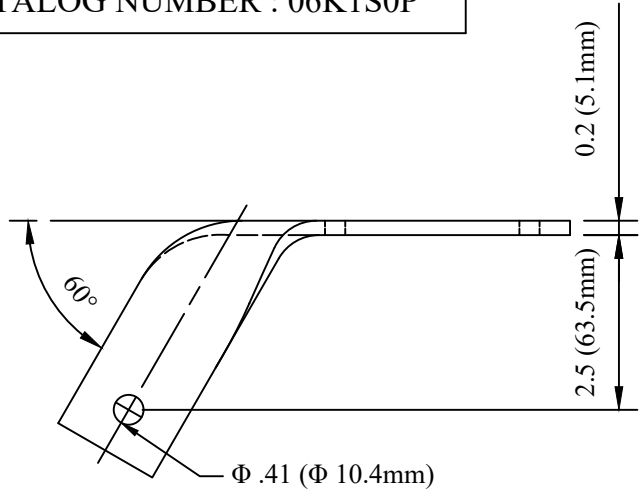


CATALOG NUMBER : 06K1S0P



CATALOG NUMBER	DESCRIPTION
06K1S0P_1	TELEPHONE CORNER BRACKET
06K1S0P_2	TELEPHONE CORNER BRACKET

- NOTES:
- 1.MATERIAL:STEEL.
 - 2.FINISH: HOT DIP GALVANIZE PER ASTM A153(LATEST REVISION).

DRN BY:	DATA
Ella	08/06/17
<small>CONFIDENTIAL THIS DRAWING AND ITS CONTENTS PROPERTY OF TIANJIN TUOFA ELECTRIC POWER TECHNOLOGY CO.,LTD. NO PUBLICATION, DISTRIBUTION OR COPIES MAY BE MADE WITHOUT THE WRITTEN CONSENT OF TIANJIN TUOFA ELECTRIC POWER TECHNOLOGY CO.,LTD. TIANJIN TUOFA ELECTRIC POWER TECHNOLOGY CO.,LTD UNPUBLISHED ALL RIGHTS RESERVED UNDER THE COPYRIGHT LAWS.</small>	

GALVANIZED STEEL
HOUSE BRACKET



TTF POWER TECHNOLOGY CO.