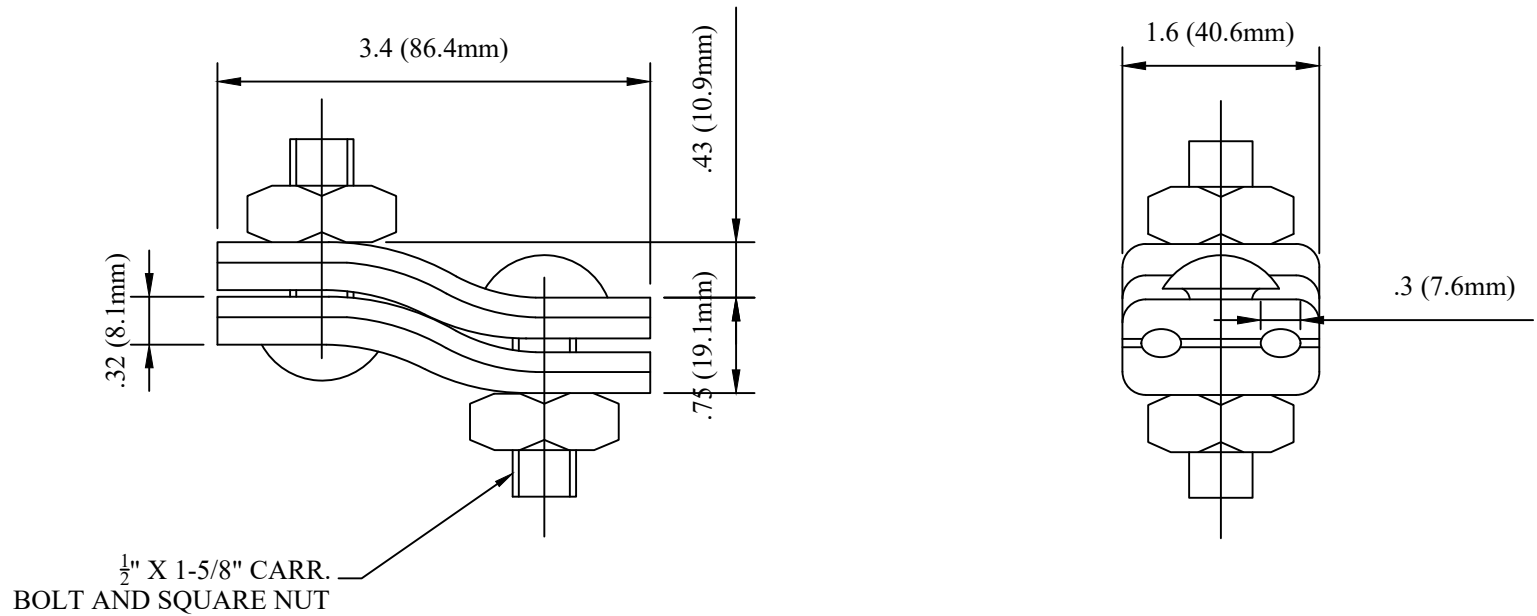


CATALOG NUMBER : 04B2B9B



NOTES:

- 1.MATERIAL: ASTM A107-52AT H.R. STEEL, GRADE AISI C-1015.
- 2.HOT DIP GALVANIZE PER ASTM A153(LAST REVISION)
OR MECHANICAL GALVANIZE PER ASTM B695 TYPE2.
- 3.ACCOMODATES STRAND SIZE $\frac{3}{16}$ " TO $\frac{5}{16}$ ".

DRN BY:	DATA
Ella	08/06/17
<small>CONFIDENTIAL THIS DRAWING AND ITS CONTENTS PROPERTY OF TIANJIN TUOFA ELECTRIC POWER TECHNOLOGY CO.,LTD. NO PUBLICATION, DISTRIBUTION OR COPIES MAY BE MADE WITHOUT THE WRITTEN CONSENT OF TIANJIN TUOFA ELECTRIC POWER TECHNOLOGY CO.,LTD. TIANJIN TUOFA ELECTRIC POWER TECHNOLOGY CO.,LTD UNPUBLISHED ALL RIGHTS RESERVED UNDER THE COPYRIGHT LAWS.</small>	

GALVANIZED STEEL GUY CLAMP



TTF POWER TECHNOLOGY CO.