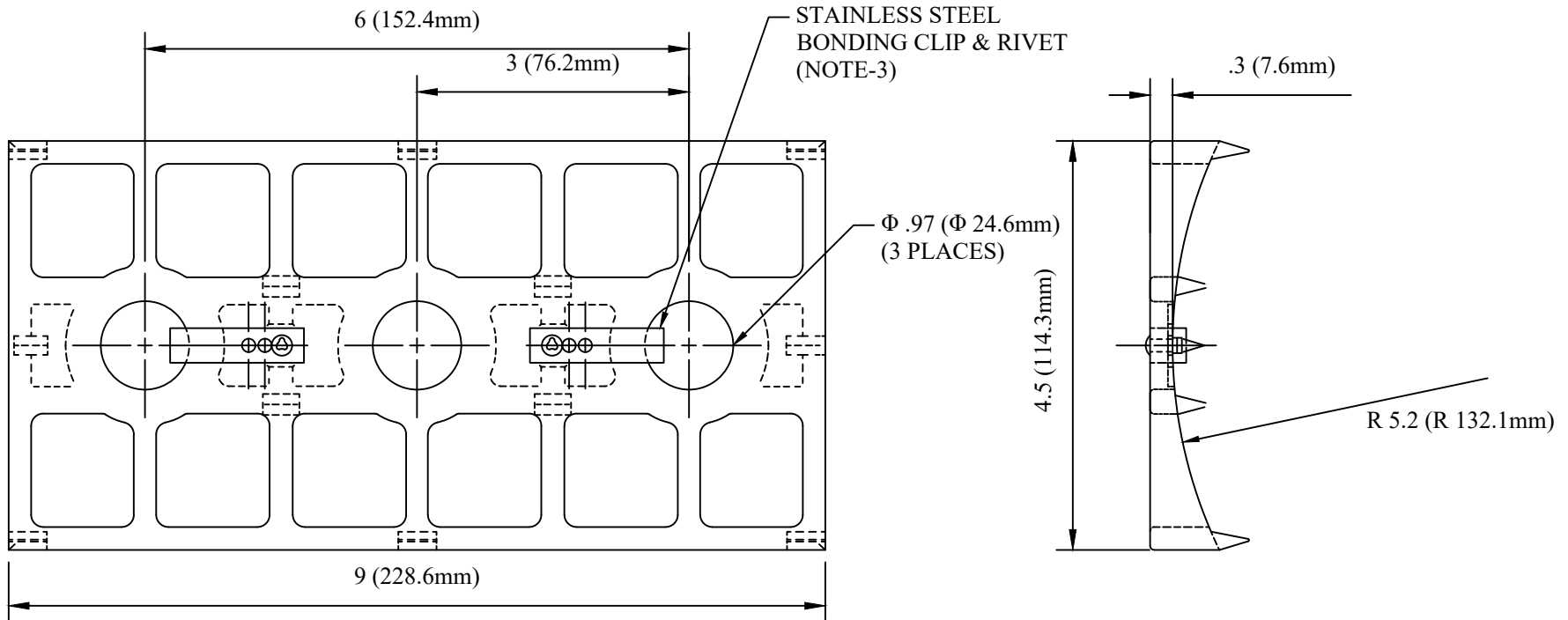


CATALOG NUMBER : 06C8Y1M

CATALOG NUMBER	BONDING CLIP REQUIREMENTS
06C8Y1M_1	NO BONDING
06C8Y1M_2	CENTER HOLE BONDED
06C8Y1M_3	OUTER HOLES BINDED



- NOTES:
- 1.MATERIAL: DUCTILE IRON (MINUS HARDWARE).
  - 2.FINISH: HOT DIP GALVANIZE PER ASTM A153(LATEST REV.)
  - 3.NO BONDING.

DRN BY:	DATA
Ella	09/07/17
<small>CONFIDENTIAL THIS DRAWING AND ITS CONTENTS PROPERTY OF TIANJIN TUOFA ELECTRIC POWER TECHNOLOGY CO.,LTD. NO PUBLICATION, DISTRIBUTION OR COPIES MAY BE MADE WITHOUT THE WRITTEN CONSENT OF TIANJIN TUOFA ELECTRIC POWER TECHNOLOGY CO.,LTD. TIANJIN TUOFA ELECTRIC POWER TECHNOLOGY CO.,LTD UNPUBLISHED ALL RIGHTS RESERVED UNDER THE COPYRIGHT LAWS.</small>	

GALVANIZED STEEL  
CROSSARM GRID GAIN



TTF POWER TECHNOLOGY CO.