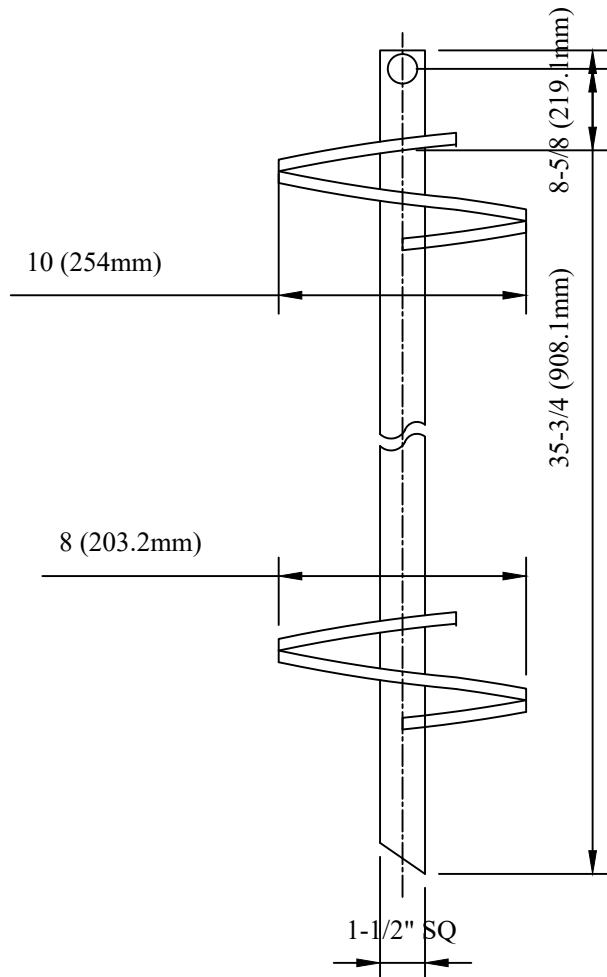


CATALOG NUMBER : 03C5W2J



NOTES:

1. FINISH: HOT DIP GALVANIZE PER ASTM A153(LATEST REVISION).
2. LENGTH DIMENSIONS ARE NOMINAL.
3. SHAFT MATERIAL: HOT ROLLED - CORNERED SQUARE (RCS) SOLID STEEL BARS PER ASTM A29, MINIMUM YIELD STRENGTH = 70 KSI.

DRN BY:	DATA
Ella	09/07/17
<small>CONFIDENTIAL THIS DRAWING AND ITS CONTENTS PROPERTY OF TIANJIN TUOFA ELECTRIC POWER TECHNOLOGY CO.,LTD. NO PUBLICATION, DISTRIBUTION OR COPIES MAY BE MADE WITHOUT THE WRITTEN CONSENT OF TIANJIN TUOFA ELECTRIC POWER TECHNOLOGY CO.,LTD. TIANJIN TUOFA ELECTRIC POWER TECHNOLOGY CO.,LTD UNPUBLISHED ALL RIGHTS RESERVED UNDER THE COPYRIGHT LAWS.</small>	

GALVANIZED HELICAL ANCHOR LEAD



TTF POWER TECHNOLOGY CO.