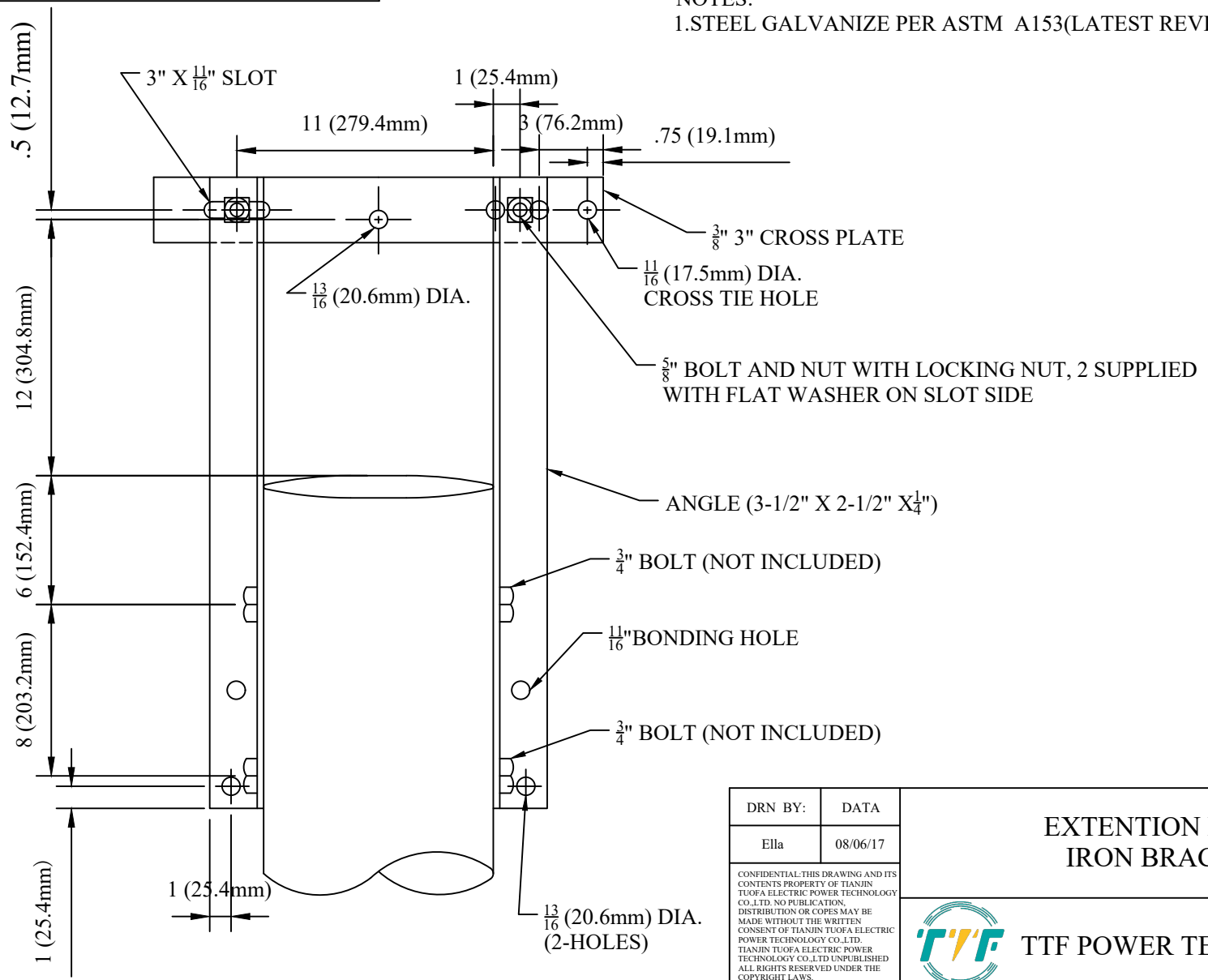


CATALOG NUMBER : 06K8S1N

NOTES:

1. STEEL GALVANIZE PER ASTM A153(LATEST REVISION).



DRN BY:	DATA
Ella	08/06/17
<small>CONFIDENTIAL THIS DRAWING AND ITS CONTENTS PROPERTY OF TIANJIN TUOFA ELECTRIC POWER TECHNOLOGY CO.,LTD. NO PUBLICATION, DISTRIBUTION OR COPIES MAY BE MADE WITHOUT THE WRITTEN CONSENT OF TIANJIN TUOFA ELECTRIC POWER TECHNOLOGY CO.,LTD. TIANJIN TUOFA ELECTRIC POWER TECHNOLOGY CO.,LTD UNPUBLISHED ALL RIGHTS RESERVED UNDER THE COPYRIGHT LAWS.</small>	

EXTENTION RIDGE
IRON BRACKET



TTF POWER TECHNOLOGY CO.