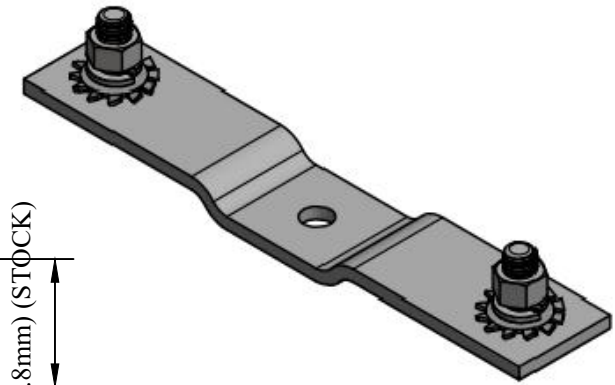
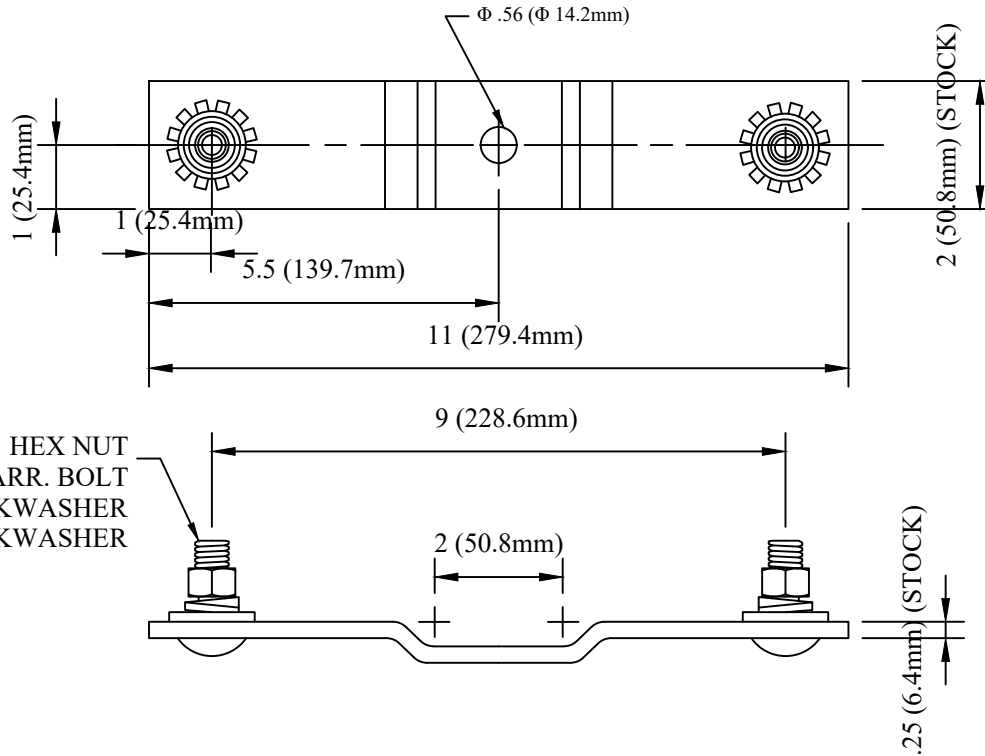


CATALOG NUMBER : 04D6N9H



HEX NUT
SQ. NECK CARR. BOLT
EXT. TOOTH LOCKWASHER
SPRING LOCKWASHER

NOTES:

- 1.MATERIAL: HOT ROLLED STEEL.
- 2.FINISH: HOT DIP GALVANIZE PER ASTM A153(LATEST REVISION).

DRN BY:	DATA
Ella	08/06/17
<small>CONFIDENTIAL THIS DRAWING AND ITS CONTENTS PROPERTY OF TIANJIN TUOFA ELECTRIC POWER TECHNOLOGY CO.,LTD. NO PUBLICATION, DISTRIBUTION OR COPIES MAY BE MADE WITHOUT THE WRITTEN CONSENT OF TIANJIN TUOFA ELECTRIC POWER TECHNOLOGY CO.,LTD. TIANJIN TUOFA ELECTRIC POWER TECHNOLOGY CO.,LTD UNPUBLISHED ALL RIGHTS RESERVED UNDER THE COPYRIGHT LAWS.</small>	

DUAL POSITION CUTOFF BRACKET
COMPONENT



TTF POWER TECHNOLOGY CO.