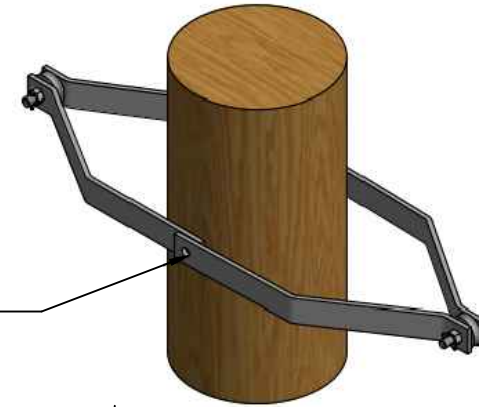


CATALOG NUMBER : 06D4X8V

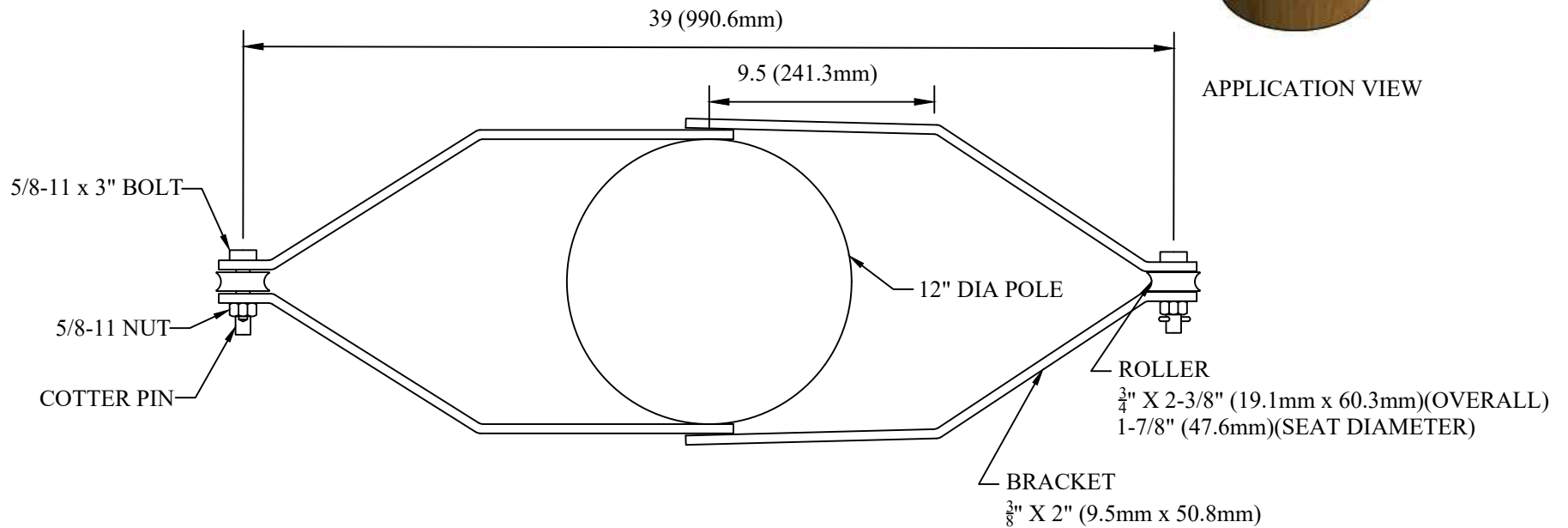


PACKAGING ORIENTATION



MOUNTING HOLE FOR 5/8" BOLT (BOLT NOT INCLUDED)

APPLICATION VIEW



NOTES:

1. USED TO DEADEND AT THE POLE WHEN AN OBSTRUCTION ON THE POLE PROHIBITS STANDARD DEADEND HARDWARE.
2. USE WITH 12" DIAMETER POLE
3. STEEL, GALVANIZED PER ASTM A153.

DRN BY:	DATA
Ella	09/07/17
<small>CONFIDENTIAL THIS DRAWING AND ITS CONTENTS PROPERTY OF TIANJIN TUOFA ELECTRIC POWER TECHNOLOGY CO.,LTD. NO PUBLICATION, DISTRIBUTION OR COPIES MAY BE MADE WITHOUT THE WRITTEN CONSENT OF TIANJIN TUOFA ELECTRIC POWER TECHNOLOGY CO.,LTD. TIANJIN TUOFA ELECTRIC POWER TECHNOLOGY CO.,LTD UNPUBLISHED ALL RIGHTS RESERVED UNDER THE COPYRIGHT LAWS.</small>	

DUAL DEADEND BRACKET ASSEMBLY



TTF POWER TECHNOLOGY CO.