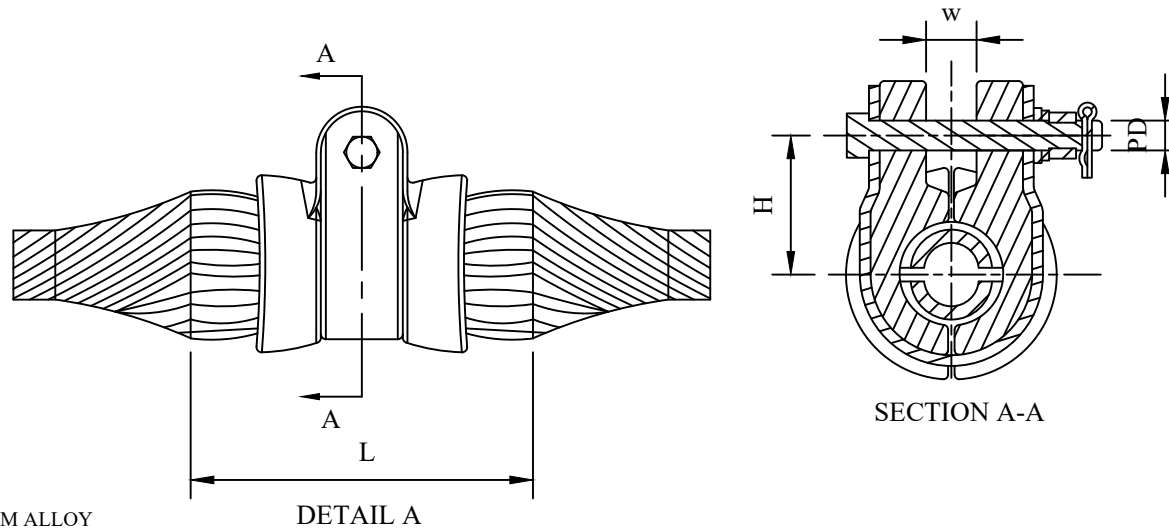
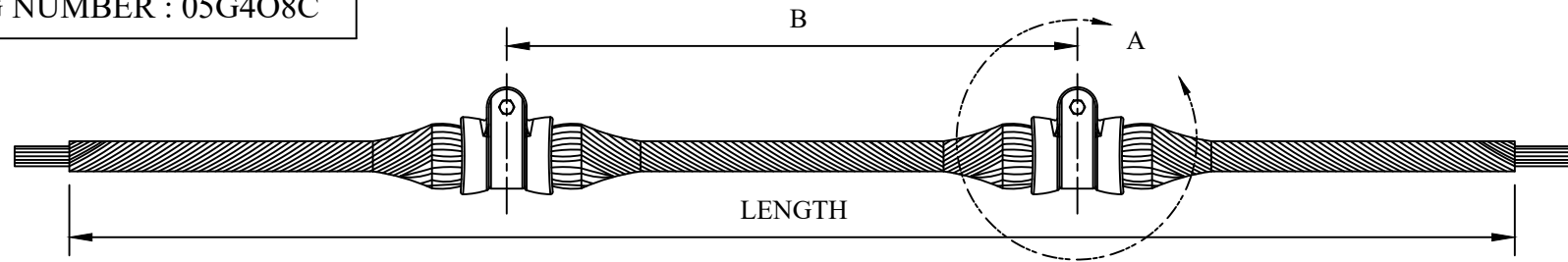


CATALOG NUMBER : 05G408C



NOTES:

- 1.MATERIAL:
 CLAMP BODY - ALUMINUM ALLOY
 RUBBER INSERT - EPDM RUBBER
 HELICAL RODS - ALUMINUM ALLOY
 HARDWARE (BOLT, NUT, FLAT WASHER & LOCK WASHER) - GALV. STEEL
 COTTER STEEL - STAINLESS STEEL
- 2.DIMENSIONS IN INCHES [MILLIMETERS]
- 3.MAXIMUM TAKE OFF ANGLE = 30° - 60°
- 4.SLIP LOAD 15% - 20% OF CONDUCTOR RBS
- 5.BODY AND RUBBER INSERT CAN BE IDENTIFIED BY THE CONDUCTOR RANGE MARKED ON THEM. HELICAL RODS HAVE CONDUCTOR RANGE MARKED ON A TAG ATTACHED TO THE BUNDLE AS WELL THE AS THE COLOR PAINT MARK. PLEASE NOTE SOME PARTS HAVE LARGER RANGES AND CAN BE USED ON MULTIPLE SIZES.

DRN BY:	DATA
Ella	09/07/17
<small>CONFIDENTIAL THIS DRAWING AND ITS CONTENTS PROPERTY OF TIANJIN TUOFA ELECTRIC POWER TECHNOLOGY CO.,LTD. NO PUBLICATION, DISTRIBUTION OR COPIES MAY BE MADE WITHOUT THE WRITTEN CONSENT OF TIANJIN TUOFA ELECTRIC POWER TECHNOLOGY CO.,LTD. TIANJIN TUOFA ELECTRIC POWER TECHNOLOGY CO.,LTD UNPUBLISHED ALL RIGHTS RESERVED UNDER THE COPYRIGHT LAWS.</small>	

DOUBLE HELICAL CUSHION
SUSPENSION ASSEMBLY



TTF POWER TECHNOLOGY CO.

CATALOG NUMBER : 05G4O8C

CATALOG NUMBER	CONDUCTOR DIA. RANGE	ULT. BODY STRENGTH (LBS)	ROD PER SET	H	L	W	B	PD	LENGTH
05G4O8C_1	0.542 - 0.555 [13.79 - 14.10]	10000	10	1.937 [49.2]	5.311 [134.9]	.860 [21.8]	12.00 [3304.8]		58.0 [1473.2]
05G4O8C_2	0.556 - 0.573 [14.12 - 14.55]		11						
05G4O8C_3	0.574 - 0.594 [14.58 - 15.09]		12						
05G4O8C_4	0.595 - 0.606 [15.11 - 15.39]								
05G4O8C_5	0.607 - 0.619 [15.42 - 15.72]		15000						
05G4O8C_6	0.620 - 0.645 [15.75 - 16.36]								
05G4O8C_7	0.646 - 0.673 [16.41 - 17.09]	11	2.140 [54.4]	7.201 [182.9]	.892 [22.7]	18.00 [457.2]	.625 [15.9]	72.0 [1828.8]	
05G4O8C_8	0.674 - 0.690 [17.12 - 17.53]	12							
05G4O8C_9	0.691 - 0.710 [17.55 - 18.03]	20000	10	2.340 [59.4]	8.000 [203.2]	1.018 [25.9]			78.0 [1981.2]
05G4O8C_10	0.711 - 0.731 [18.06 - 18.57]								
05G4O8C_11	0.732 - 0.750 [18.59 - 19.50]								
05G4O8C_12	0.751 - 0.768 [19.08 - 19.51]								
05G4O8C_13	0.769 - 0.795 [19.53 - 20.19]								
05G4O8C_14	0.796 - 0.824 [20.22 - 20.93]								
05G4O8C_15	0.825 - 0.845 [20.96 - 21.46]	11	12					82.0 [2082.8]	
05G4O8C_16	0.846 - 0.870 [21.49 - 22.10]								
05G4O8C_17	0.871 - 0.893 [22.12 - 22.68]								
05G4O8C_18	0.894 - 0.907 [22.71 - 23.04]								

DRN BY:	DATA
Ella	09/07/17
<small>CONFIDENTIAL THIS DRAWING AND ITS CONTENTS PROPERTY OF TIANJIN TUOFA ELECTRIC POWER TECHNOLOGY CO.,LTD. NO PUBLICATION, DISTRIBUTION OR COPIES MAY BE MADE WITHOUT THE WRITTEN CONSENT OF TIANJIN TUOFA ELECTRIC POWER TECHNOLOGY CO.,LTD. TIANJIN TUOFA ELECTRIC POWER TECHNOLOGY CO.,LTD UNPUBLISHED ALL RIGHTS RESERVED UNDER THE COPYRIGHT LAWS.</small>	

**DOUBLE HELICAL CUSHION
SUSPENSION ASSEMBLY**



TTF POWER TECHNOLOGY CO.