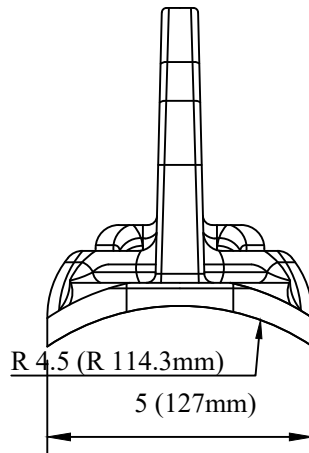
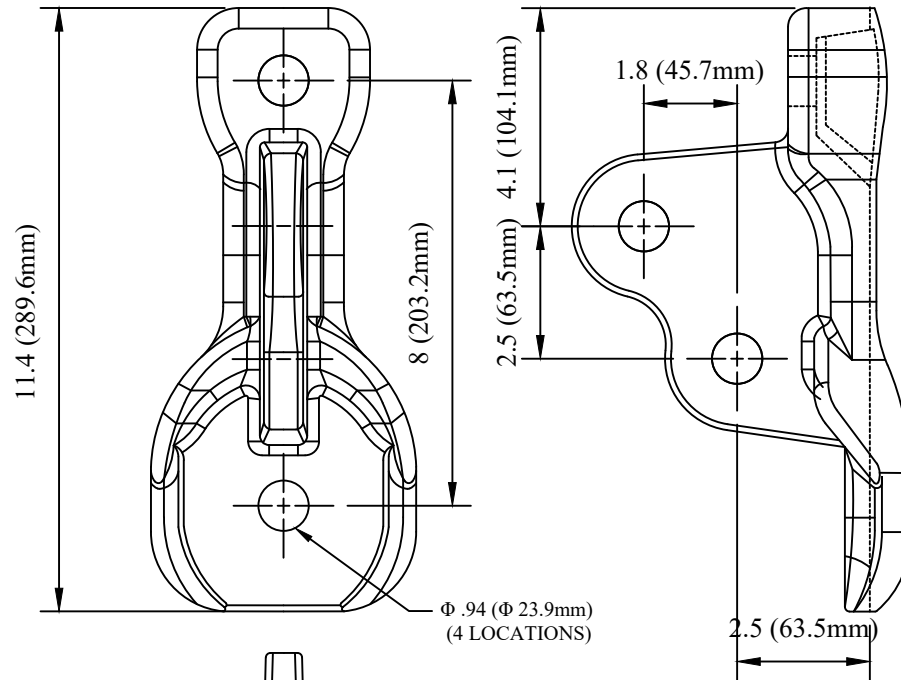


CATALOG NUMBER : 06D5V0U



NOTES:

- 1.MATERIAL: 64-45-12 DUCTILE IRON.
- 2.FINISH: HOT DIP GALVANIZE PER ASTM A153(LATEST REVISION).

| | |
|---|----------|
| DRN BY: | DATA |
| Ella | 09/07/17 |
| <small>CONFIDENTIAL THIS DRAWING AND ITS CONTENTS PROPERTY OF TIANJIN TUOFA ELECTRIC POWER TECHNOLOGY CO.,LTD. NO PUBLICATION, DISTRIBUTION OR COPIES MAY BE MADE WITHOUT THE WRITTEN CONSENT OF TIANJIN TUOFA ELECTRIC POWER TECHNOLOGY CO.,LTD. TIANJIN TUOFA ELECTRIC POWER TECHNOLOGY CO.,LTD UNPUBLISHED ALL RIGHTS RESERVED UNDER THE COPYRIGHT LAWS.</small> | |

DOUBLE EYE POLE EYE PLATE GUY ATTACHMENT



TTF POWER TECHNOLOGY CO.