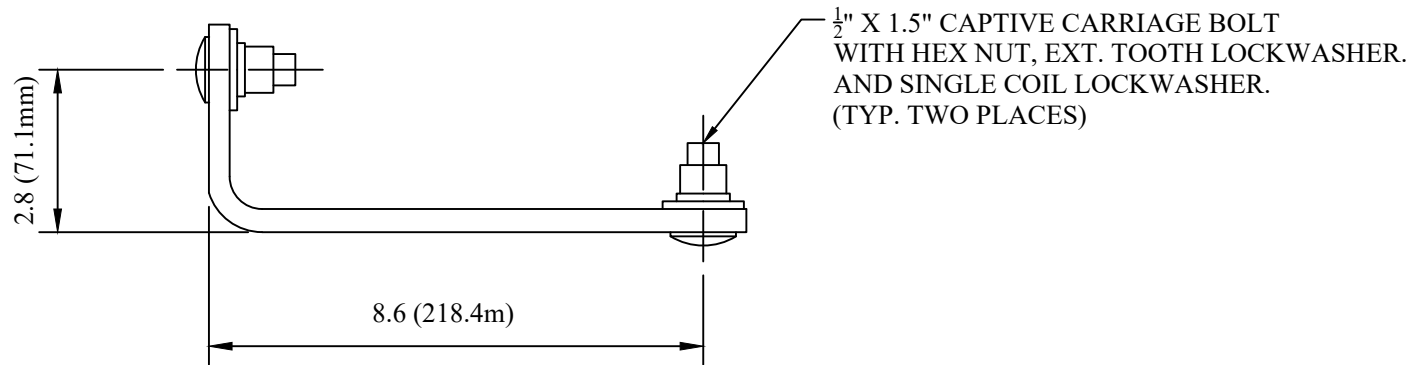
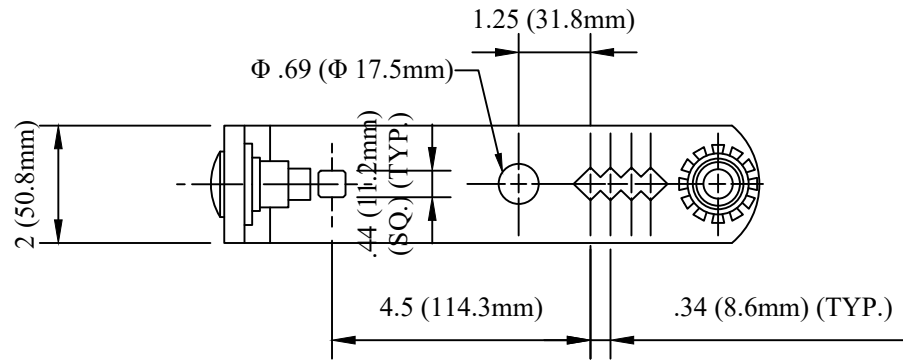


CATALOG NUMBER : 04D2Q5V



NOTES:

- 1.MATERIAL: STEEL, HOT DIP GALVANIZE PER ASTM A153(LATEST REVISION).
- 2.ASSEMBLED COMPLETE AS SHOWN.

DRN BY:	DATA
Ella	08/06/17
<small>CONFIDENTIAL THIS DRAWING AND ITS CONTENTS PROPERTY OF TIANJIN TUOFA ELECTRIC POWER TECHNOLOGY CO.,LTD. NO PUBLICATION, DISTRIBUTION OR COPIES MAY BE MADE WITHOUT THE WRITTEN CONSENT OF TIANJIN TUOFA ELECTRIC POWER TECHNOLOGY CO.,LTD. TIANJIN TUOFA ELECTRIC POWER TECHNOLOGY CO.,LTD UNPUBLISHED ALL RIGHTS RESERVED UNDER THE COPYRIGHT LAWS.</small>	

CROSSARM MOUNTED COMBINATION
CUTOUT & ARRESTER BRACKET



TTF POWER TECHNOLOGY CO.