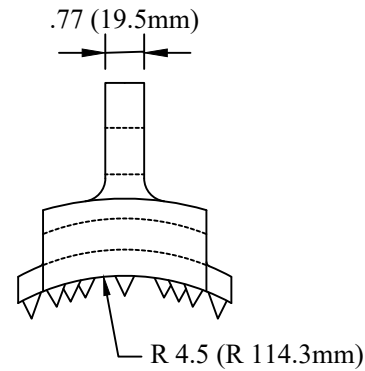
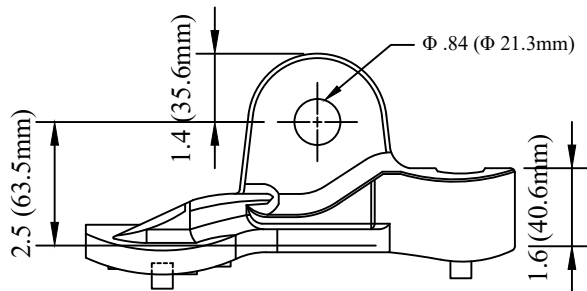
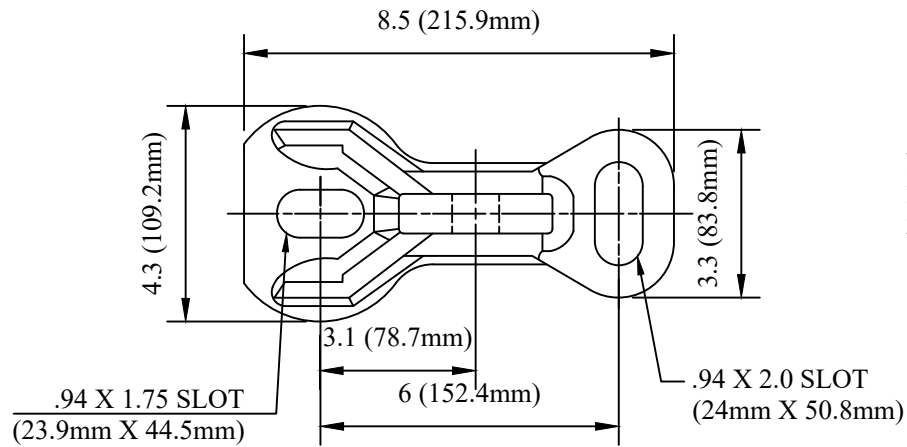
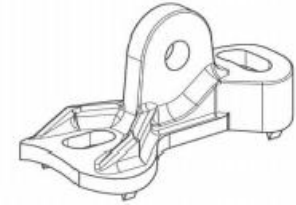


CATALOG NUMBER : 06D8D4F



NOTES:

- 1.MATERIAL: DUCTILE IRON PER ASTM A536.
- 2.FINISH: HOT DIP GALVANIZE PER ASTM A153(LATEST REVISION).

| | |
|---------|----------|
| DRN BY: | DATA |
| Ella | 09/07/17 |

CAST DUCTILE IRON POLE EYE PLATE
GUY ATTACHMENT

CONFIDENTIAL THIS DRAWING AND ITS CONTENTS PROPERTY OF TIANJIN TUOFA ELECTRIC POWER TECHNOLOGY CO.,LTD. NO PUBLICATION, DISTRIBUTION OR COPIES MAY BE MADE WITHOUT THE WRITTEN CONSENT OF TIANJIN TUOFA ELECTRIC POWER TECHNOLOGY CO.,LTD. TIANJIN TUOFA ELECTRIC POWER TECHNOLOGY CO.,LTD UNPUBLISHED ALL RIGHTS RESERVED UNDER THE COPYRIGHT LAWS.



TTF POWER TECHNOLOGY CO.