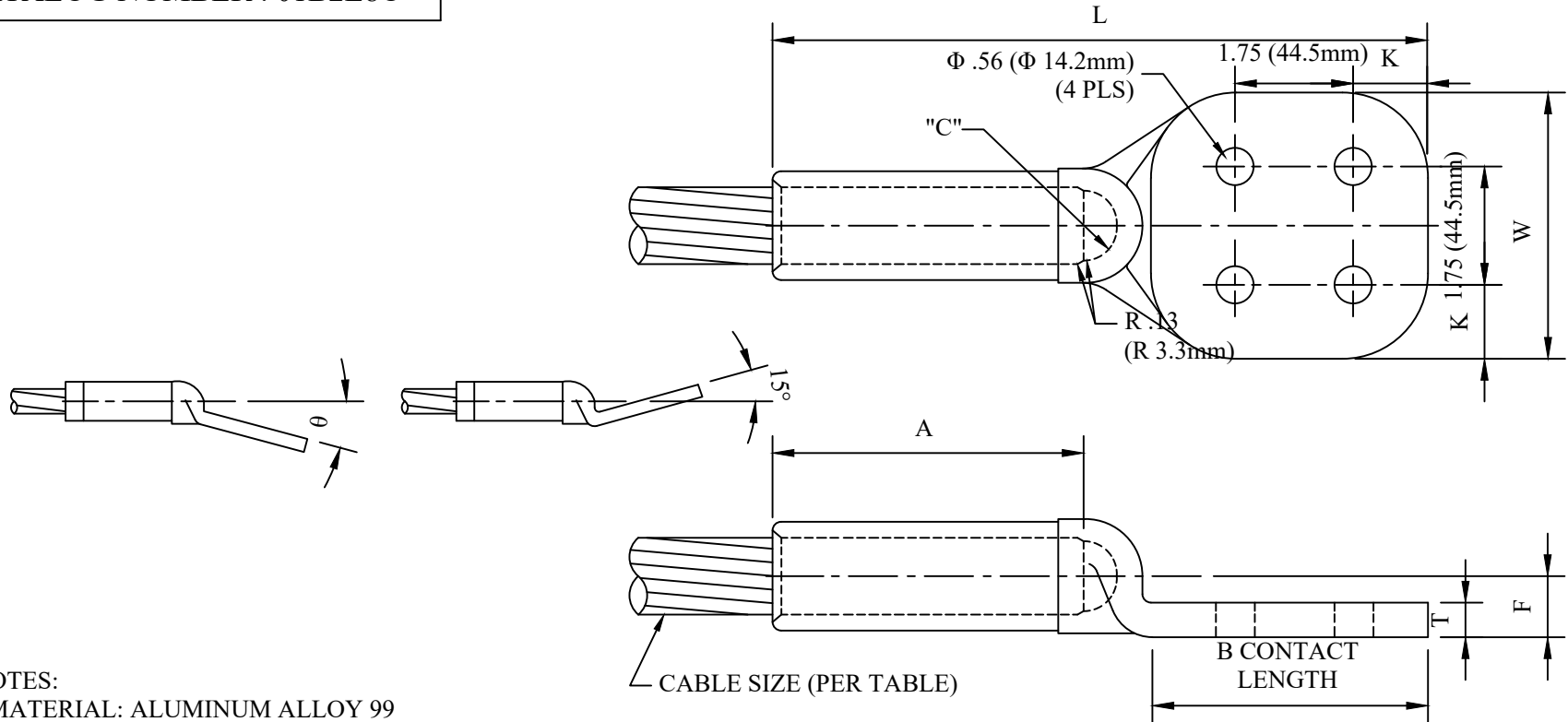


CATALOG NUMBER : 01B2L80



NOTES:

1. MATERIAL: ALUMINUM ALLOY 99
2. BARREL IS FACTORY INHIBITED AND ENTIRE CONNECTOR IS SEALED IN A PLASTIC BAG.
3. A BONDED COPPER LINER MAY BE ORDERED FOR THE BOTTO SIDE OF TONGUE BY ADDING "L" TO CATALOG NUMBER.
4. FOR 345 KV & 500 KV APPLICATION, ADD "EDV" TO CATALOG NUMBER.
5. CONNECTORS ARE CORONA FREE AT THEIR RATED VOLTAGES SINGLE CABLE DIAMETERS UNDER 1.76" FOR 345KV AND 2.50 FOR 500KV MAY NOT BE CORONA FREE UNLESS CONDUCTOR ARE BUNDLED.
6. ALL CONNECTORS WITH "C" PAD WILL NOT HAVE TAPER ON END OF BARREL.
7. ITEMS HAVING "XY" SUFFIX ON CATALOG NUMBER HAVE SAME DIMENSIONS AS STANDARD CATALOG NUMBER BUT TONGUE IS FINISHED ON BOTH SIDES.

DRN BY:	DATA
Ella	08/06/17
<small>CONFIDENTIAL THIS DRAWING AND ITS CONTENTS PROPERTY OF TIANJIN TUOFA ELECTRIC POWER TECHNOLOGY CO.,LTD. NO PUBLICATION, DISTRIBUTION OR COPIES MAY BE MADE WITHOUT THE WRITTEN CONSENT OF TIANJIN TUOFA ELECTRIC POWER TECHNOLOGY CO.,LTD. TIANJIN TUOFA ELECTRIC POWER TECHNOLOGY CO.,LTD UNPUBLISHED ALL RIGHTS RESERVED UNDER THE COPYRIGHT LAWS.</small>	

CAST ALUMINUM TERMINAL



TTF POWER TECHNOLOGY CO.

CATALOG NUMBER : 01B2L80

CATALOG NUMBER	CABLE DIA. RANGE		DIE REF.	DIMENSIONS IN INCHES (MILLIMETERS)							
	MIN.	MAX.		A	B	C	F	K	L	W	T
01B2L80_1C	.232 (5.9)	.257 (6.5)	.640 (16.3)	2.25 (57.2)	3.12 (79.2)	-	.44 (11.2)	.62 (15.7)	5.88 (149.4)	3.00 (76.2)	.25 (6.4)
01B2L80_2C	.292 (7.4)	.325 (8.3)	.640 (16.3)	2.25 (57.2)	3.12 (79.2)	-	.44 (11.2)	.62 (15.7)	5.88 (149.4)	3.00 (76.2)	.25 (6.4)
01B2L80_3C	.355 (9.0)	.398 (10.1)	.840 (21.3)	2.75 (69.9)	3.12 (79.2)	-	.56 (14.2)	.62 (15.7)	6.5 (165.1)	3.00 (76.2)	.38 (9.7)
01B2L80_4C	.414 (10.5)	.447 (11.4)	.840 (21.3)	2.75 (69.9)	3.12 (79.2)	-	.56 (14.2)	.62 (15.7)	6.5 (165.1)	3.00 (76.2)	.38 (9.7)
01B2L80_5C	.464 (11.8)	.502 (12.8)	.840 (21.3)	2.75 (69.9)	3.12 (79.2)	-	.56 (14.2)	.62 (15.7)	6.5 (165.1)	3.00 (76.2)	.38 (9.7)
01B2L80_6C	.502 (12.8)	.563 (14.3)	1 (25.4)	3.00 (76.2)	3.12 (79.2)	-	.62 (15.7)	.62 (15.7)	6.75 (171.5)	3.00 (76.2)	.38 (9.7)
01B2L80_7C	.586 (14.9)	.642 (16.3)	1 (25.4)	3.00 (76.2)	3.12 (79.2)	-	.62 (15.7)	.62 (15.7)	6.75 (171.5)	3.00 (76.2)	.38 (9.7)
01B2L80_8C	.666 (16.9)	.684 (17.4)	1.125 (28.6)	3.25 (82.6)	3.12 (79.2)	-	.69 (17.5)	.62 (15.7)	7.00 (177.8)	3.00 (76.2)	.50 (12.7)
01B2L80_9C	.721 (18.3)	.743 (18.9)	1.125 (28.6)	3.25 (82.6)	3.12 (79.2)	-	.69 (17.5)	.62 (15.7)	7.00 (177.8)	3.00 (76.2)	.50 (12.7)
01B2L80_10C	.772 (19.6)	.814 (20.7)	1.250 (31.8)	3.50 (88.9)	3.12 (79.2)	-	.75 (19.1)	.62 (15.7)	7.38 (187.5)	3.00 (76.2)	.50 (12.7)
01B2L80_11C	.846 (21.5)	.883 (22.4)	1.468 (37.3)	3.88 (98.6)	3.12 (79.2)	-	.88 (22.4)	.62 (15.7)	7.75 (196.9)	3.00 (76.2)	.50 (12.7)
01B2L80_12C	.879 (22.3)	.953 (24.2)	1.468 (37.3)	3.88 (98.6)	3.12 (79.2)	-	.88 (22.4)	.62 (15.7)	7.75 (196.9)	3.00 (76.2)	.50 (12.7)
01B2L80_13C	.953 (24.2)	1.031 (26.2)	1.468 (37.3)	3.88 (98.6)	3.12 (79.2)	-	.88 (22.4)	.62 (15.7)	7.75 (196.9)	3.00 (76.2)	.50 (12.7)
01B2L80_14C	1.026 (26.1)	1.081 (27.5)	1.625 (41.3)	3.88 (98.6)	3.12 (79.2)	-	.94 (23.9)	.62 (15.7)	8.00 (203.2)	3.00 (76.2)	.62 (15.7)
01B2L80_15C	1.092 (27.7)	1.152 (29.3)	1.625 (41.3)	3.88 (98.6)	3.12 (79.2)	-	.94 (23.9)	.62 (15.7)	8.00 (203.2)	3.00 (76.2)	.62 (15.7)
01B2L80_16C	1.140 (29)	1.216 (30.9)	1.625 (41.3)	3.88 (98.6)	3.12 (79.2)	-	.94 (23.9)	.62 (15.7)	8.00 (203.2)	3.00 (76.2)	.62 (15.7)
01B2L80_17D	1.026 (26.1)	1.081 (27.5)	1.625 (41.3)	4.62 (117.3)	4.12 (104.6)	.5 (12.7)	.94 (23.9)	1.12 (28.4)	9.75 (247.7)	4.00 (101.6)	.50 (12.7)
01B2L80_18D	1.092 (27.7)	1.152 (29.3)	1.625 (41.3)	4.62 (117.3)	4.12 (104.6)	-	.94 (23.9)	1.12 (28.4)	9.75 (247.7)	4.00 (101.6)	.50 (12.7)
01B2L80_19D	1.140 (29)	1.216 (30.9)	1.625 (41.3)	4.62 (117.3)	4.12 (104.6)	-	.94 (23.9)	1.12 (28.4)	9.75 (247.7)	4.00 (101.6)	.50 (12.7)
01B2L80_20D	1.246 (31.6)	1.300 (33.0)	1.844 (46.8)	5.25 (133.4)	4.12 (104.6)	.59 (15)	1.06 (26.9)	1.12 (28.4)	10.62 (269.7)	4.00 (101.6)	.50 (12.7)
01B2L80_21D	1.345 (34.2)	1.424 (36.2)	2.062 (52.4)	5.25 (133.4)	4.12 (104.6)	-	1.06 (26.9)	1.12 (28.4)	10.62 (269.7)	4.00 (101.6)	.50 (12.7)
01B2L80_22D	1.424 (36.2)	1.506 (38.3)	2.062 (52.4)	5.38 (136.7)	4.12 (104.6)	-	1.19 (30.2)	1.12 (28.4)	10.75 (273.1)	4.00 (101.6)	.62 (15.7)
01B2L80_23D	1.506 (38.3)	1.545 (39.2)	2.062 (52.4)	5.38 (136.7)	4.12 (104.6)	-	1.19 (30.2)	1.12 (28.4)	10.75 (273.1)	4.00 (101.6)	.62 (15.7)
01B2L80_24D	1.602 (40.7)	1.659 (42.1)	2.375 (60.3)	5.75 (146.1)	4.12 (104.6)	-	1.31 (33.3)	1.12 (28.4)	11.0 (279.4)	4.00 (101.6)	.62 (15.7)
01B2L80_25D	1.750 (44.5)	1.762 (44.8)	2.375 (60.3)	5.75 (146.1)	4.12 (104.6)	-	1.31 (33.3)	1.12 (28.4)	11.0 (279.4)	4.00 (101.6)	.62 (15.7)
01B2L80_26D	-	1.824 (46.3)	2.375 (60.3)	5.75 (146.1)	4.12 (104.6)	-	1.31 (33.3)	1.12 (28.4)	11.0 (279.4)	4.00 (101.6)	.62 (15.7)
01B2L80_27D	-	1.996 (50.7)	2.625 (66.7)	6.75 (171.5)	4.12 (104.6)	-	1.44 (36.6)	1.12 (28.4)	12.12 (307.8)	4.00 (101.6)	.75 (19.1)
01B2L80_28D	-	2.160 (54.9)	2.750 (69.9)	6.75 (171.5)	4.12 (104.6)	-	1.50 (38.1)	1.12 (28.4)	12.12 (307.8)	4.00 (101.6)	.75 (19.1)

DRN BY: DATA

Ella 08/06/17

CAST ALUMINUM TERMINAL

CONFIDENTIAL THIS DRAWING AND ITS CONTENTS PROPERTY OF TIANJIN TUOFA ELECTRIC POWER TECHNOLOGY CO.,LTD. NO PUBLICATION, DISTRIBUTION OR COPIES MAY BE MADE WITHOUT THE WRITTEN CONSENT OF TIANJIN TUOFA ELECTRIC POWER TECHNOLOGY CO.,LTD. TIANJIN TUOFA ELECTRIC POWER TECHNOLOGY CO.,LTD UNPUBLISHED ALL RIGHTS RESERVED UNDER THE COPYRIGHT LAWS.



TTF POWER TECHNOLOGY CO.