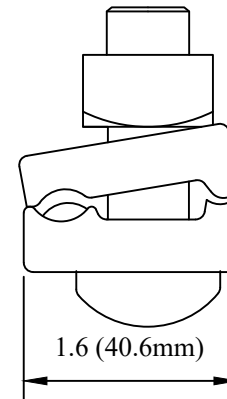
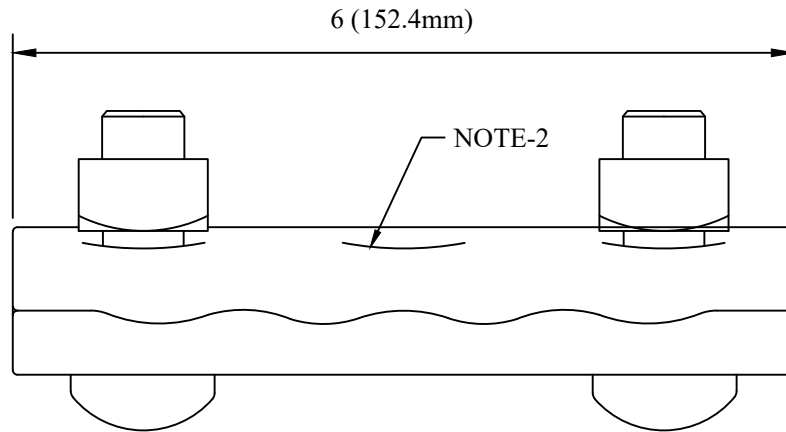
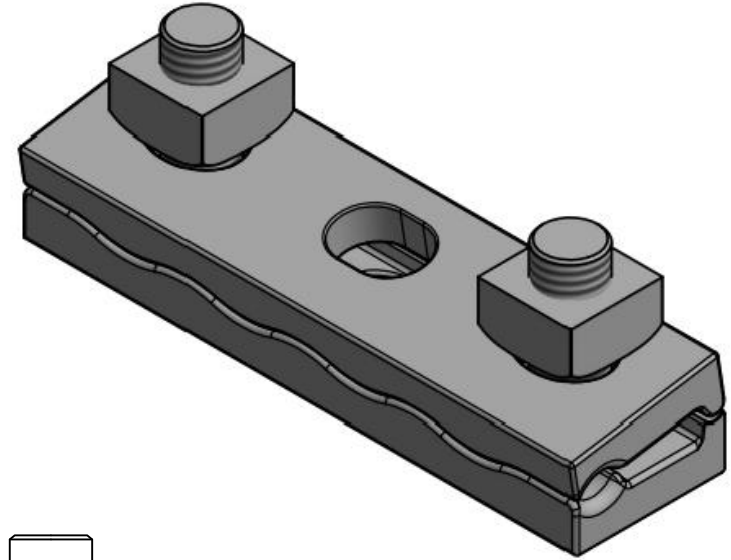


CATALOG NUMBER : 04B4U9X

NOTES:

- 1.SUSPENSION CLAMP FOR JACKETED STRANDS (FIGURE 8 CABLE), $\frac{1}{4}$ " AND $\frac{3}{8}$ " BARE MESSENGER WIRE. SERPENTINE GROOVES IN THE MOUNTING PLATES PROVIDE SUPERIOR HOLDING STRENGTH OF INSULATED MESSENGER WIRE.
- 2.ACCOMODATES $\frac{5}{8}$ " DIAMETER POLE MOUNTING BOLT.
- 3.SUPPLIED WITH (2) $\frac{5}{8}$ " TRACK BOLTS/ SQUARE NUTS.
- 4.DUCTILE IRON PER ASTM A536, GALVANIZED PER ASTM A153.
- 5.MEETS TELECORDIA GR-3174-CORE; BELLCORE SPECIFICATION AT-8261.



DRN BY:	DATA
Ella	09/07/17
<small>CONFIDENTIAL THIS DRAWING AND ITS CONTENTS PROPERTY OF TIANJIN TUOFA ELECTRIC POWER TECHNOLOGY CO.,LTD. NO PUBLICATION, DISTRIBUTION OR COPIES MAY BE MADE WITHOUT THE WRITTEN CONSENT OF TIANJIN TUOFA ELECTRIC POWER TECHNOLOGY CO.,LTD. TIANJIN TUOFA ELECTRIC POWER TECHNOLOGY CO.,LTD UNPUBLISHED ALL RIGHTS RESERVED UNDER THE COPYRIGHT LAWS.</small>	

C-CABLE SUSPENSION CLAMP



TTF POWER TECHNOLOGY CO.