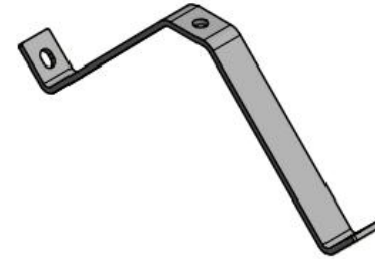
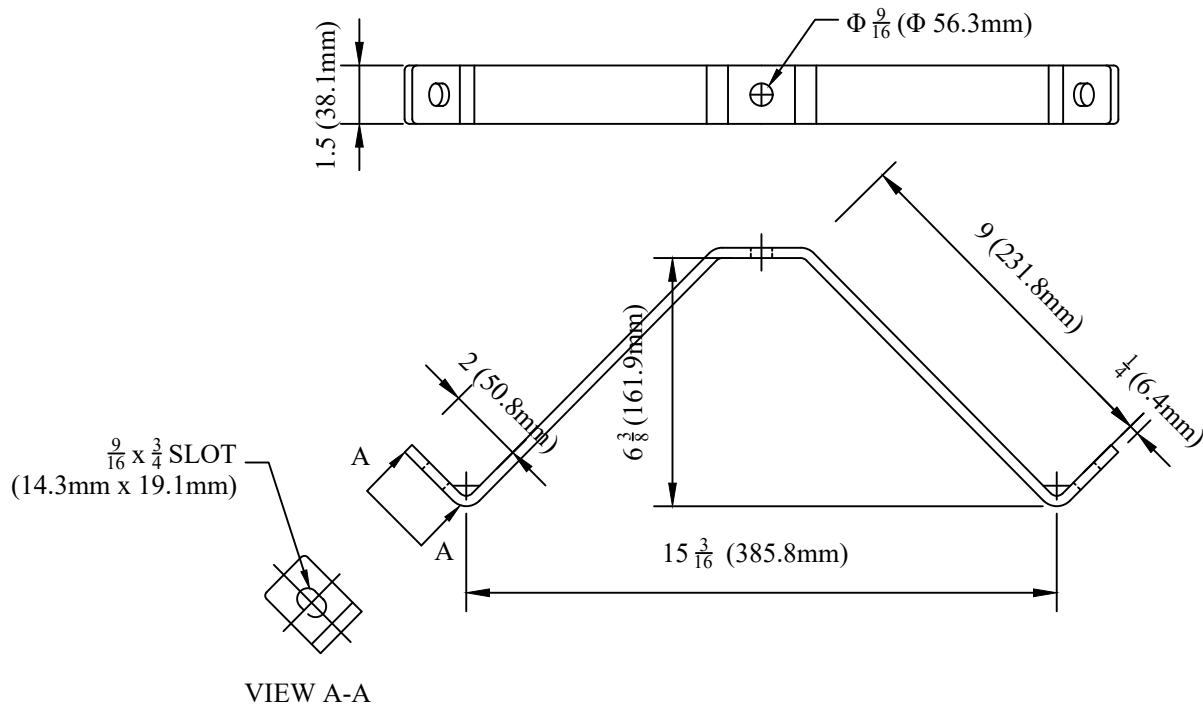


CATALOG NUMBER : 04A7M1U



NOTES:

1. USE TO MOUNT CABLE RACKS TO WALL AND OTHER STRUCTURES.
2. BELL OPERATING SPECIFICATION CA08557.
3. STEEL, HOT DIP GALVANIZED PER ASTM A153.

DRN BY:	DATA
Ella	08/06/17
<small>CONFIDENTIAL THIS DRAWING AND ITS CONTENTS PROPERTY OF TIANJIN TUOFA ELECTRIC POWER TECHNOLOGY CO.,LTD. NO PUBLICATION, DISTRIBUTION OR COPIES MAY BE MADE WITHOUT THE WRITTEN CONSENT OF TIANJIN TUOFA ELECTRIC POWER TECHNOLOGY CO.,LTD. TIANJIN TUOFA ELECTRIC POWER TECHNOLOGY CO.,LTD UNPUBLISHED ALL RIGHTS RESERVED UNDER THE COPYRIGHT LAWS.</small>	

B CABLE RACK  
SUPPORT



TTF POWER TECHNOLOGY CO.