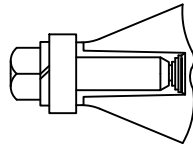
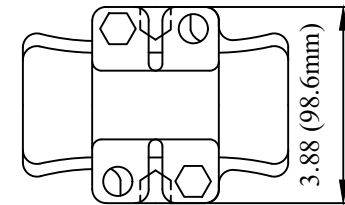
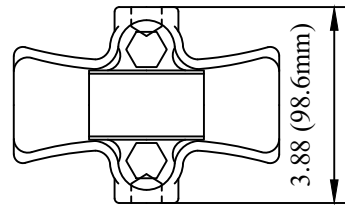


CATALOG NUMBER : 05G6G7U

CATALOG NUMBER	FIGURE NUMBER	CONDUCTOR SIZE		APPROX. SHIP WT. EACH (LBS/KG)	ULTIMATE STR. (LBS/KG)
		MIN	MAX		
05G6G7U_1	1	.25	.57	.42/(.19)	2800/(1270)
05G6G7U_2	1	.55	.86	.45/(.20)	2800/(1270)
05G6G7U_3	1	.50	1.069	.62/(.28)	2800/(1270)
05G6G7U_4	1	1.00	1.50	.64/(.29)	2800/(1270)
05G6G7U_5	1	1.00	1.50	.64/(.29)	2800/(1270)
05G6G7U_6	2	1.50	2.00	.75/(.34)	2800/(1270)
05G6G7U_7	2	1.50	2.00	.75/(.34)	2800/(1270)
05G6G7U_8	2	2.00	2.42	1.15/(.52)	2800/(1270)

SPECIFICATIONS:

1. CLAMP BODIES AND KEEPERS ARE OF HIGH STRENGTH ALUMINUM ALLOY AND HEAT TREATED.
2. BOLTS AND NUTS ARE HOT-DIP GALVANIZED STEEL.
3. ANTI-STATIC SPRINGS ARE OF 302 STAINLESS STEEL.



ANTI STATIC SPRING (SEE NOTE 5)

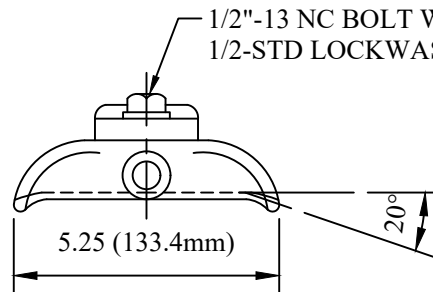


FIGURE 1

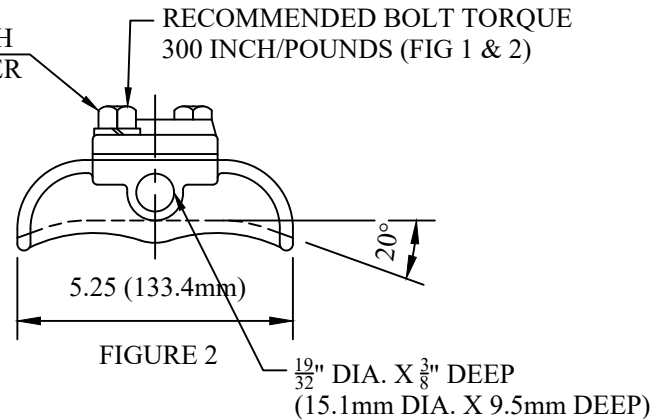


FIGURE 2

NOTES:

1. DIMENSIONS IN INCHES
2. LOADS IN POUNDS
3. SUFFIX NRF ADDED TO CATALOG NUMBER INDICATES NON-REFLECTIVE FINISH. CUSTOMER TO SPECIFY.
4. BCH SUFFIX INDICATES CLAMP FOR BC HYDRO WITH CONE TYPE BOLT.
5. ANTI-STATIC SPRING (RIV) MAY BE FURNISHED UPON REQUEST AND CAN BE SUPPLIED BY ADDING "ARIV" SUFFIX TO CATALOG NUMBER.
6. HIGH TEMPERATURE ALLOY CLAMPS TSCHT-150 AND 200 ARE PERMANENTLY MARKED WITH IEC STANDARD HOT-SURFACE SYMBOL.

DRN BY:	DATA
Ella	08/06/17
<small>CONFIDENTIAL-THIS DRAWING AND ITS CONTENTS PROPERTY OF TIANJIN TUOFA ELECTRIC POWER TECHNOLOGY CO.,LTD. NO PUBLICATION, DISTRIBUTION OR COPIES MAY BE MADE WITHOUT THE WRITTEN CONSENT OF TIANJIN TUOFA ELECTRIC POWER TECHNOLOGY CO.,LTD. TIANJIN TUOFA ELECTRIC POWER TECHNOLOGY CO.,LTD UNPUBLISHED ALL RIGHTS RESERVED UNDER THE COPYRIGHT LAWS.</small>	

ALUMINUM TRUNNION  
SUSPENSION CLAMP



TTF POWER TECHNOLOGY CO.