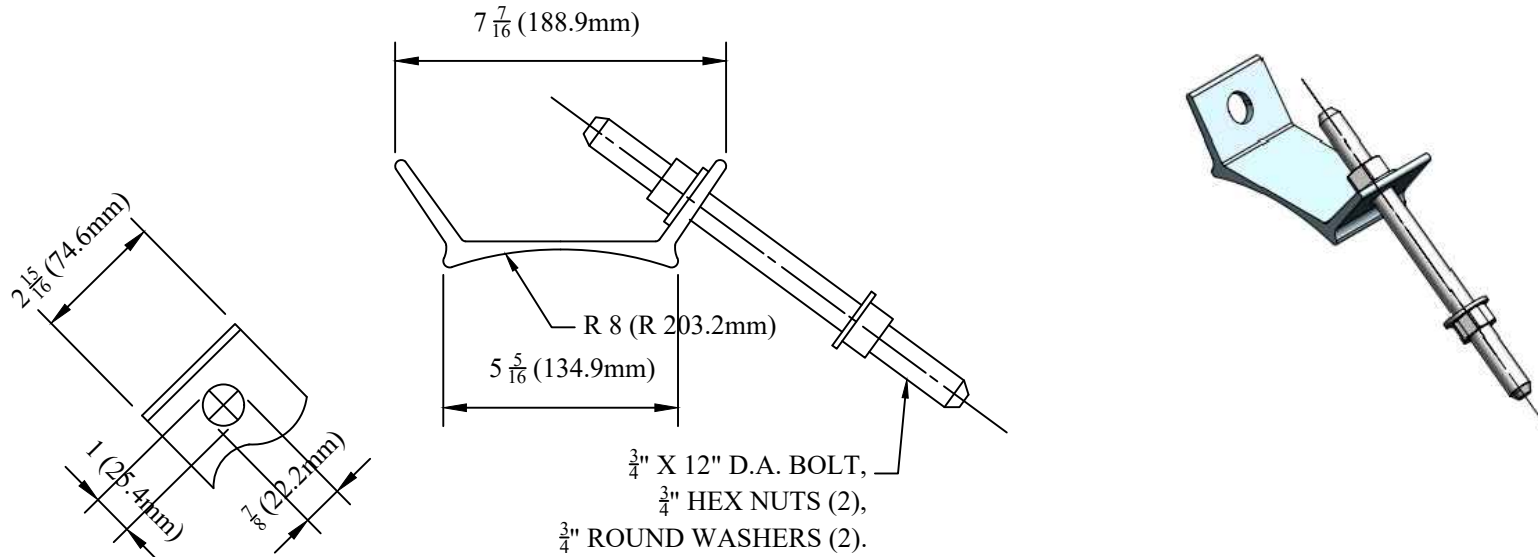


CATALOG NUMBER : 04D6M0T

NOTES:

- 1.MATERIAL: BRACKET, ALUMINUM 6061-T6
HARDWARE, GALVANIZED STEEL.
- 2.NOT ASSEMBLED COMPLETE AS SHOWN.



DRN BY:	DATA
Ella	09/07/17

CONFIDENTIAL THIS DRAWING AND ITS
 CONTENTS PROPERTY OF TIANJIN
 TUOFA ELECTRIC POWER TECHNOLOGY
 CO.,LTD. NO PUBLICATION,
 DISTRIBUTION OR COPIES MAY BE
 MADE WITHOUT THE WRITTEN
 CONSENT OF TIANJIN TUOFA ELECTRIC
 POWER TECHNOLOGY CO.,LTD.
 TIANJIN TUOFA ELECTRIC POWER
 TECHNOLOGY CO.,LTD UNPUBLISHED
 ALL RIGHTS RESERVED UNDER THE
 COPYRIGHT LAWS.

ALUMINUM
EXTENSION PLATE



TTF POWER TECHNOLOGY CO.