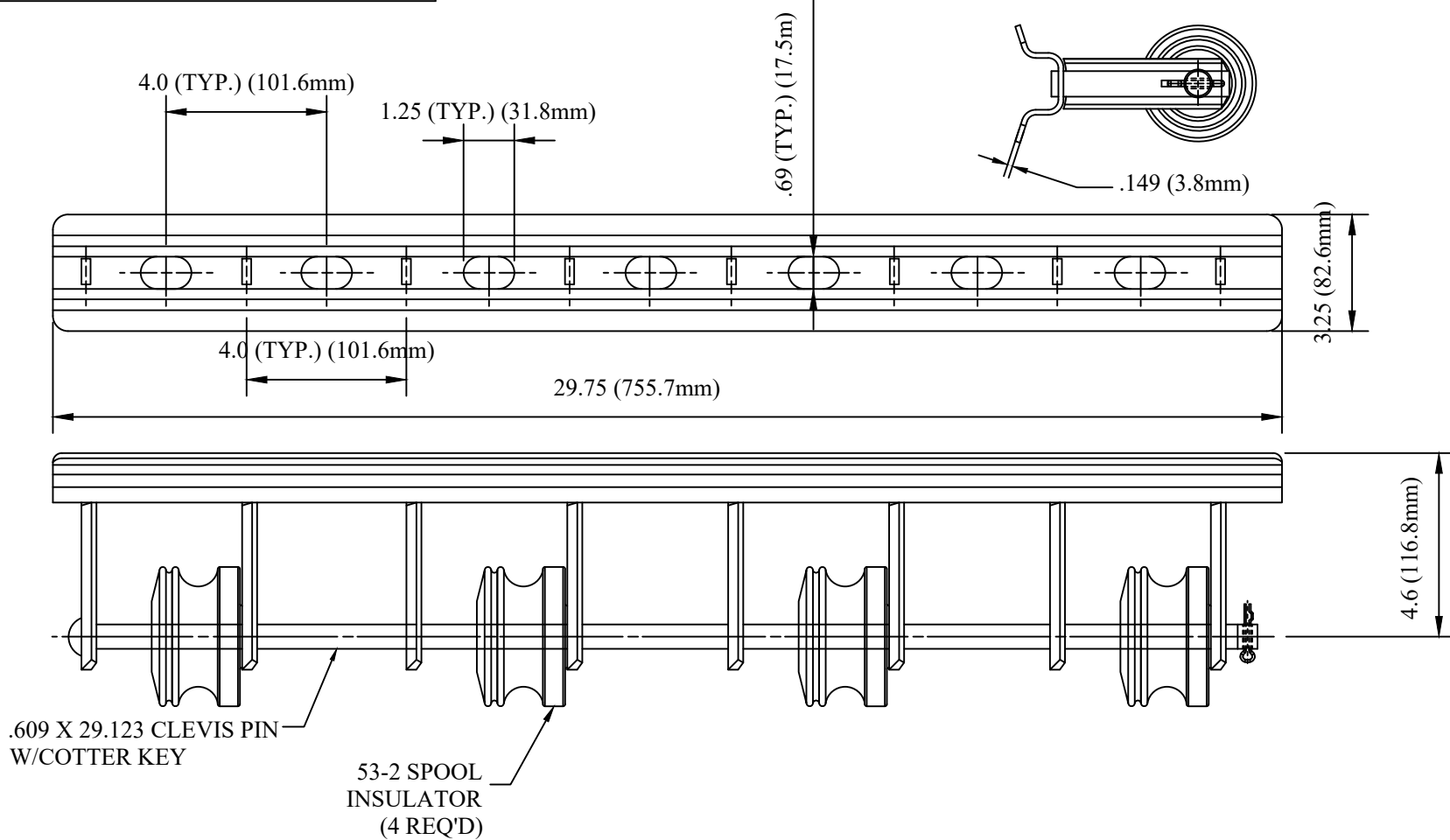


CATALOG NUMBER : 06O9Y5D



- NOTES:
 1.FINISH: HOT DIP GALVANIZED PER ASTM A153(LATEST REVISION)
 2.ASSEMBLED COMPLETE AS SHOWN

DRN BY:	DATA
Ella	08/06/17
<small>CONFIDENTIAL THIS DRAWING AND ITS CONTENTS PROPERTY OF TIANJIN TUOFA ELECTRIC POWER TECHNOLOGY CO.,LTD. NO PUBLICATION, DISTRIBUTION OR COPIES MAY BE MADE WITHOUT THE WRITTEN CONSENT OF TIANJIN TUOFA ELECTRIC POWER TECHNOLOGY CO.,LTD. TIANJIN TUOFA ELECTRIC POWER TECHNOLOGY CO.,LTD UNPUBLISHED ALL RIGHTS RESERVED UNDER THE COPYRIGHT LAWS.</small>	

4-WAY SECONDARY RACK



TTF POWER TECHNOLOGY CO.