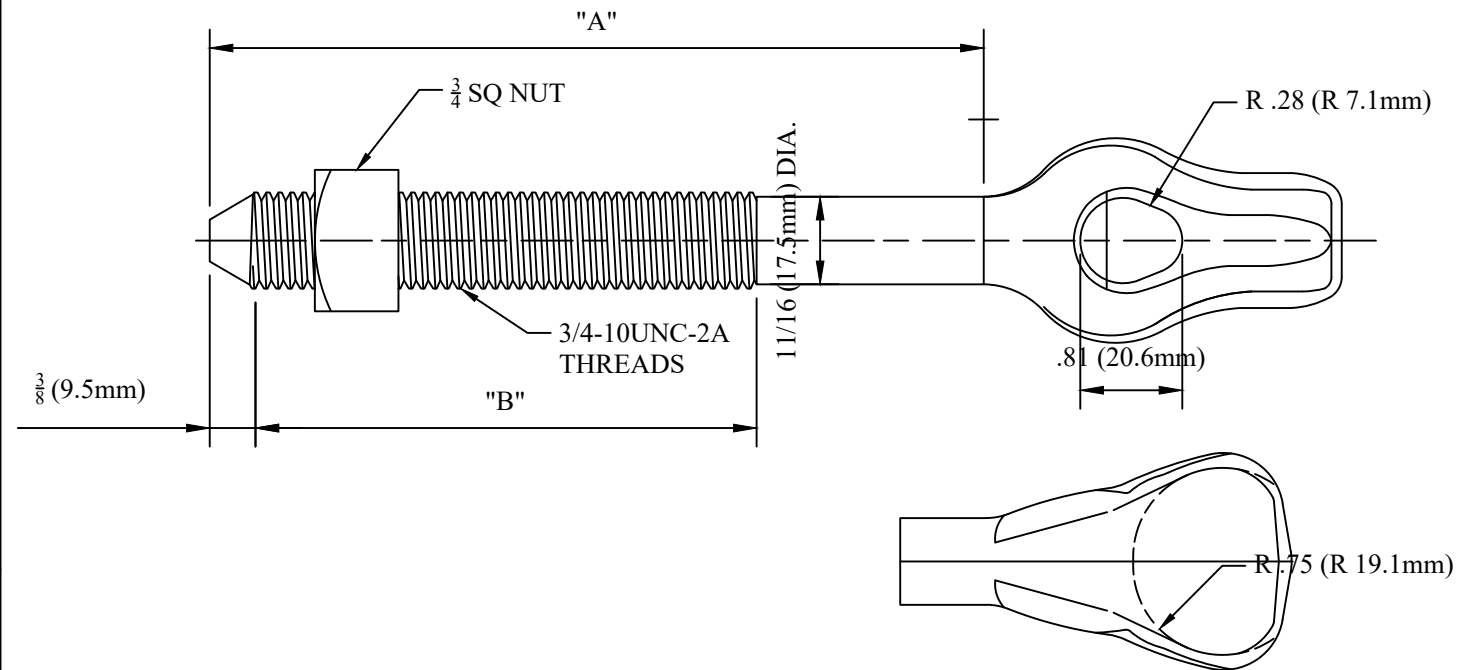


CATALOG NUMBER : 09C5Q2M



NOTES:

- 1.MATERIAL: STEEL HOT DIP GALVANIZE PER ASTM A153(LATEST REVISION).
- 2.CONFORMS TO ANSI C135.4.

CATALOG NUMBER	"A"	"B"
09C5Q2M_1	8 (203.2)	4 (101.6)
09C5Q2M_2	10 (254)	6 (152.4)
09C5Q2M_3	12 (304.8)	6 (152.4)
09C5Q2M_4	14 (355.6)	6 (152.4)
09C5Q2M_5	16 (406.4)	6 (152.4)
09C5Q2M_6	18 (457.2)	6 (152.4)

DRN BY:	DATA
Ella	12/12/16
<small>CONFIDENTIAL THIS DRAWING AND ITS CONTENTS PROPERTY OF TIANJIN TUOFA ELECTRIC POWER TECHNOLOGY CO.,LTD. NO PUBLICATION, DISTRIBUTION OR COPIES MAY BE MADE WITHOUT THE WRITTEN CONSENT OF TIANJIN TUOFA ELECTRIC POWER TECHNOLOGY CO.,LTD. TIANJIN TUOFA ELECTRIC POWER TECHNOLOGY CO.,LTD UNPUBLISHED ALL RIGHTS RESERVED UNDER THE COPYRIGHT LAWS.</small>	

STRAIGHT THIMBLEYE BOLT



TTF POWER TECHNOLOGY CO.