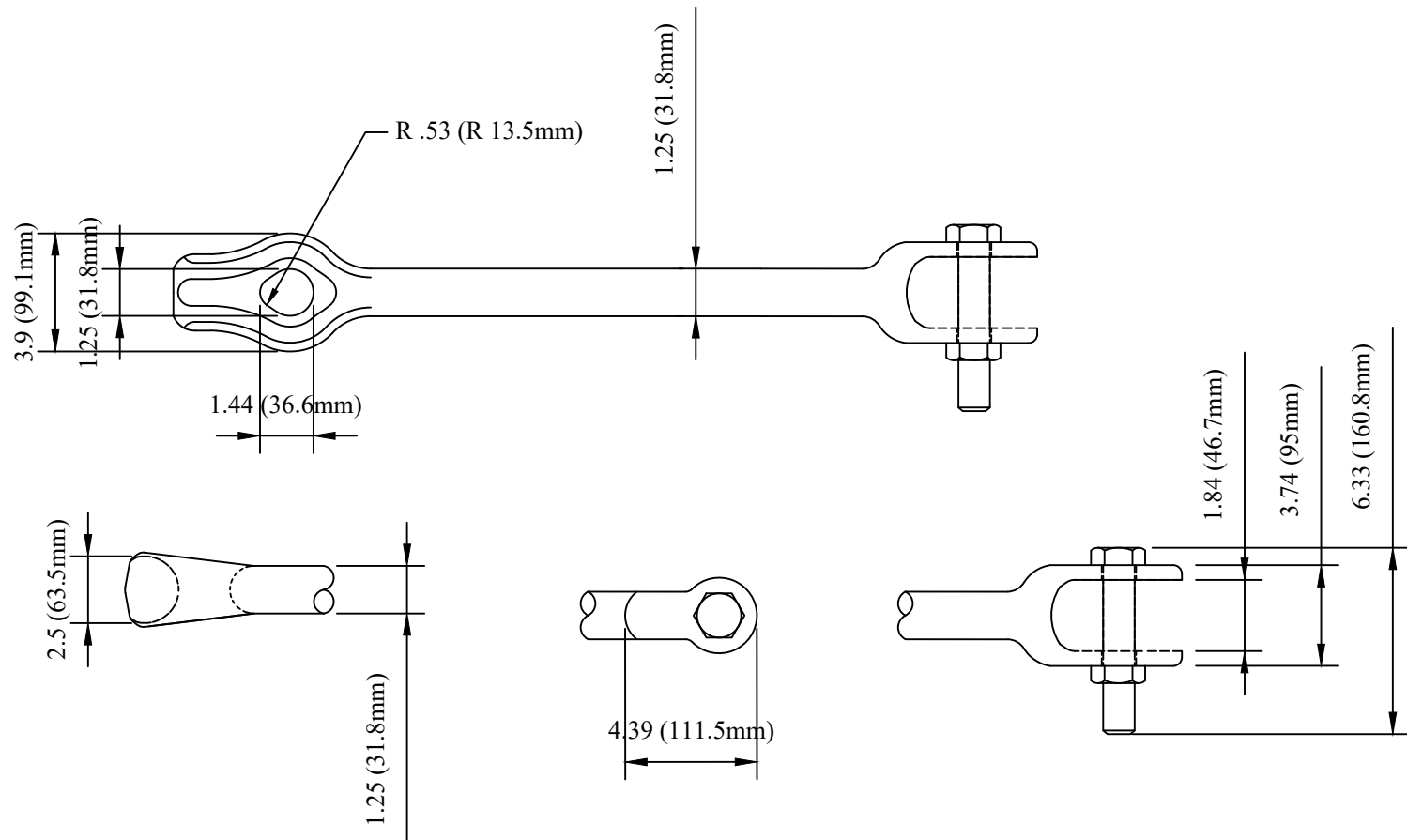


CATALOG NUMBER : 03C201M



NOTES:

- 1.FINISH: HOT DIP GALVANIZE PER ASTM A153(LATEST REVISION).
- 2.BOLT PER ASTM A325 TYPE 1 (LATEST REVISION).
- 3.BOLT PER ASTM A193 GRADE B7 (LATEST REVISION).
- 4.MAXIMUM DIAMETER GUY STRANDS ARE TWICE R AND R1.
- 5.PULLING EYE FITS CHANGE STANDARD HOIST HOOKS 2 TONS AND LESS. PULLING EYE RATED LOAD OF 12,000 LB.
- 6.ALL FORGED GUY ADAPTERS ARE 18" END TO END.

DRN BY:	DATA
Ella	10/10/16
<small>CONFIDENTIAL THIS DRAWING AND ITS CONTENTS PROPERTY OF TIANJIN TUOFA ELECTRIC POWER TECHNOLOGY CO.,LTD. NO PUBLICATION, DISTRIBUTION OR COPIES MAY BE MADE WITHOUT THE WRITTEN CONSENT OF TIANJIN TUOFA ELECTRIC POWER TECHNOLOGY CO.,LTD. TIANJIN TUOFA ELECTRIC POWER TECHNOLOGY CO.,LTD UNPUBLISHED ALL RIGHTS RESERVED UNDER THE COPYRIGHT LAWS.</small>	

SQUARE SHAFT ANCHOR



TTF POWER TECHNOLOGY CO.