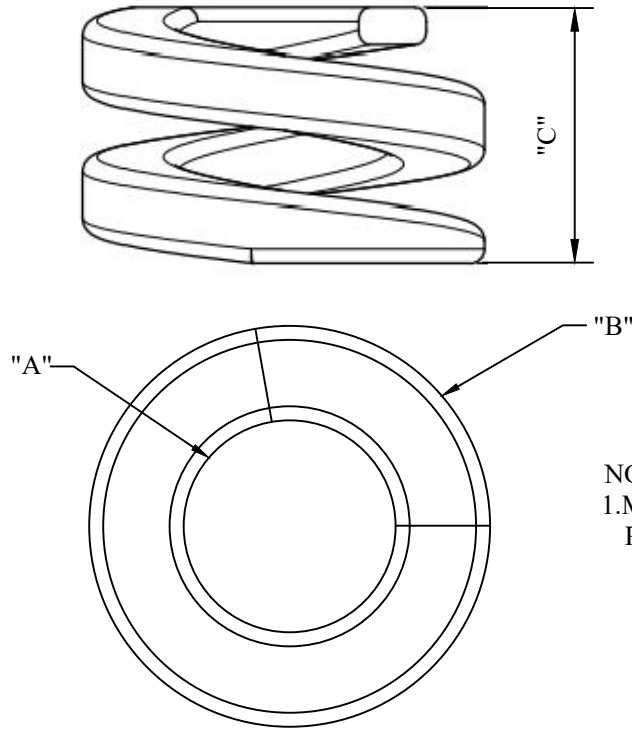


CATALOG NUMBER : 09C9B7F



NOTES:

1. MATERIAL: STEEL. MECHANICALLY GALVANIZED PER ASTM B695 WITH YELLOW CHROMATE FINISH.

CATALOG NUMBER	"A"	"B" (MAX)	"C" (MIN)
09C9B7F_1	0.4 (10.2)	0.81 (20.6)	0.53 (13.5)
09C9B7F_2	0.53 (13.5)	1.00 (25.4)	0.53 (13.5)
09C9B7F_3	0.65 (16.5)	1.30 (33)	0.79 (20)
09C9B7F_4	0.78 (19.8)	1.40 (35.6)	0.79 (20)

DRN BY:	DATA
Ella	12/12/16
<small>CONFIDENTIAL THIS DRAWING AND ITS CONTENTS PROPERTY OF TIANJIN TUOFA ELECTRIC POWER TECHNOLOGY CO.,LTD. NO PUBLICATION, DISTRIBUTION OR COPIES MAY BE MADE WITHOUT THE WRITTEN CONSENT OF TIANJIN TUOFA ELECTRIC POWER TECHNOLOGY CO.,LTD. TIANJIN TUOFA ELECTRIC POWER TECHNOLOGY CO.,LTD UNPUBLISHED ALL RIGHTS RESERVED UNDER THE COPYRIGHT LAWS.</small>	

SPRING WASHER



TTF POWER TECHNOLOGY CO.