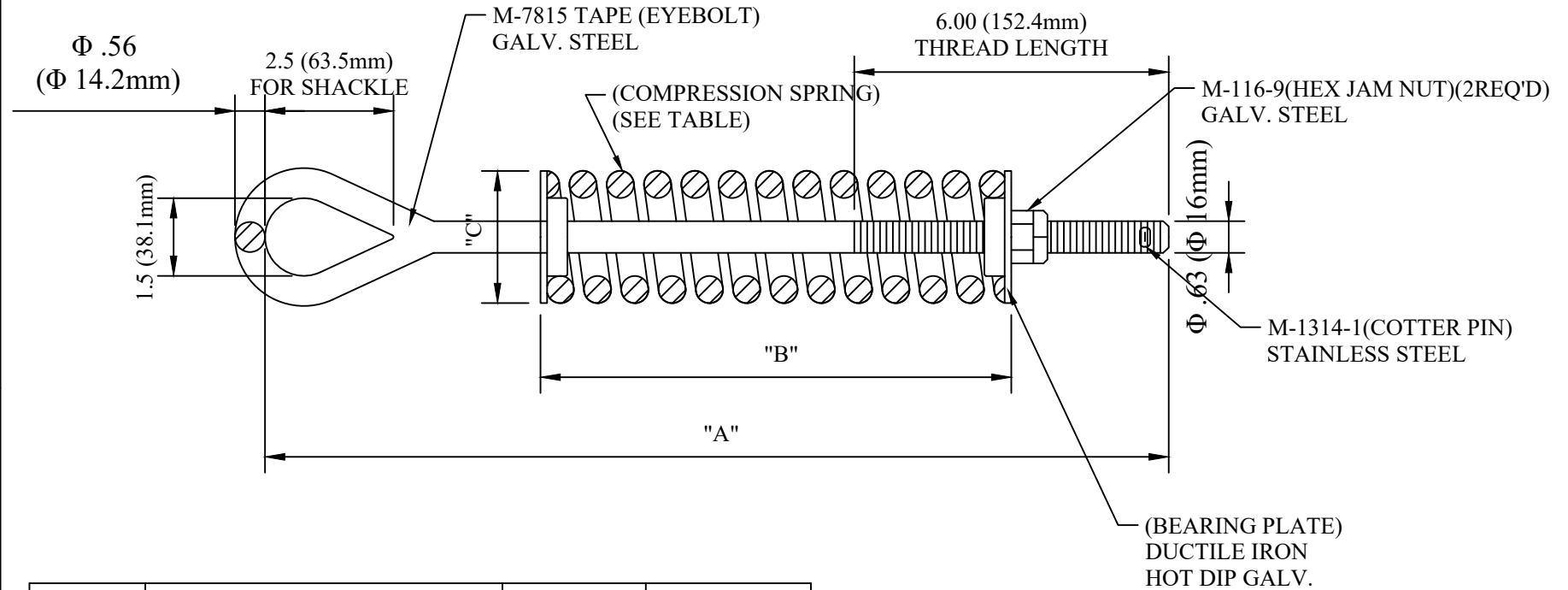


CATALOG NUMBER : 09C8B7T



CATALOG NUMBER	DIMENSIONS (MM)			TENSION RANGE	DEFLECTION RATE (LBS)
	A	B	C		
09C8B7T_1	17.25 (438.2)	9.00 (228.6)	2.50 (63.5)	0-3000 LBS	1500# PER INCH
09C8B7T_2	22.75 (577.9)	9.00 (228.6)	2.50 (63.5)	0-3000 LBS	1500# PER INCH
09C8B7T_3	17.25 (438.2)	11.25 (285.8)	3.75 (95.3)	0-6000 LBS	3000# PER INCH
09C8B7T_4	24.75 (628.7)	11.25 (285.8)	3.75 (95.3)	0-6000 LBS	3000# PER INCH
09C8B7T_5	46.00 (1168.4)	9.00 (228.6)	2.50 (63.5)	0-3000 LBS	1500# PER INCH
09C8B7T_6	36.00 (914.4)	11.25 (285.8)	3.75 (95.3)	0-6000 LBS	3000# PER INCH
09C8B7T_7	36.00 (914.4)	9.00 (228.6)	2.50 (63.5)	0-3000 LBS	1500# PER INCH
09C8B7T_8	70.00 (1778)	9.00 (228.6)	2.50 (63.5)	0-3000 LBS	1500# PER INCH
09C8B7T_9	30.00 (762)	11.25 (285.8)	3.75 (95.3)	0-6000 LBS	3000# PER INCH

DRN BY:	DATA
Ella	12/12/16
<small>CONFIDENTIAL THIS DRAWING AND ITS CONTENTS PROPERTY OF TIANJIN TUOFA ELECTRIC POWER TECHNOLOGY CO.,LTD. NO PUBLICATION, DISTRIBUTION OR COPIES MAY BE MADE WITHOUT THE WRITTEN CONSENT OF TIANJIN TUOFA ELECTRIC POWER TECHNOLOGY CO.,LTD. TIANJIN TUOFA ELECTRIC POWER TECHNOLOGY CO.,LTD UNPUBLISHED ALL RIGHTS RESERVED UNDER THE COPYRIGHT LAWS.</small>	

SPRING BOLT



TTF POWER TECHNOLOGY CO.