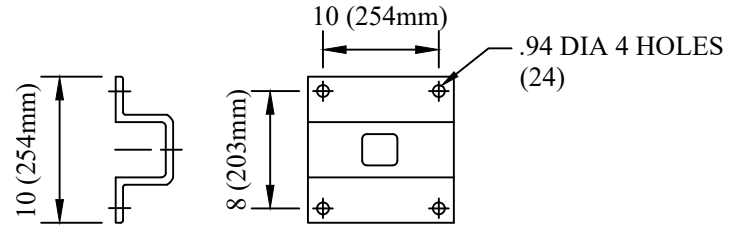
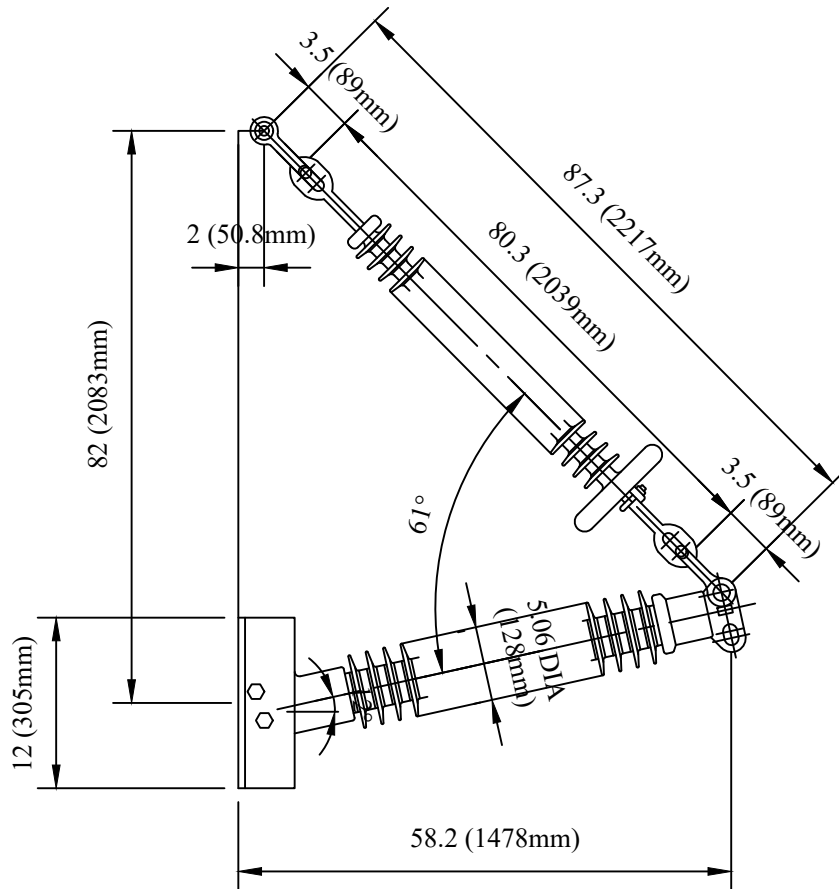


CATALOG NUMBER : 07H2N40



MOUNTING BASE DETAIL

ELECTRICAL CHARACTERISTICS IN ACCORDANCE WITH ANSI C29.11-1988

DRY 60 HZ FLASHOVER	460
WET 60 HZ FLASHOVER	415
IMPULSE POSITIVE FLASHOVER	710
IMPULSE NEGATIVE FLASHOVER	820

ELECTRICAL CHARACTERISTICS IN ACCORDANCE WITH IEC-60383

WET 60 HZ 1-MIN WITHSTAND	310
IMPULSE POSITIVE WITHSTAND	635
IMPULSE NEGATIVE WITHSTAND	735

MAX WORKING LOADS. LBA (KN)

VERTICAL	11350 (50.4)
TRANSVERSE TENSION	7500 (33.3)
COMPRESSION	7500 (33.3)
LONGITUDINAL	1550 (6.8)

LEAKAGE DISTANCE	120
STRIKE DISTANCE	46

DRN BY:	DATA
Ella	12/12/16

SLILICONE BRACED LINE POST

CONFIDENTIAL THIS DRAWING AND ITS CONTENTS PROPERTY OF TIANJIN TUOFA ELECTRIC POWER TECHNOLOGY CO.,LTD. NO PUBLICATION, DISTRIBUTION OR COPIES MAY BE MADE WITHOUT THE WRITTEN CONSENT OF TIANJIN TUOFA ELECTRIC POWER TECHNOLOGY CO.,LTD. TIANJIN TUOFA ELECTRIC POWER TECHNOLOGY CO.,LTD UNPUBLISHED ALL RIGHTS RESERVED UNDER THE COPYRIGHT LAWS.



TTF POWER TECHNOLOGY CO.