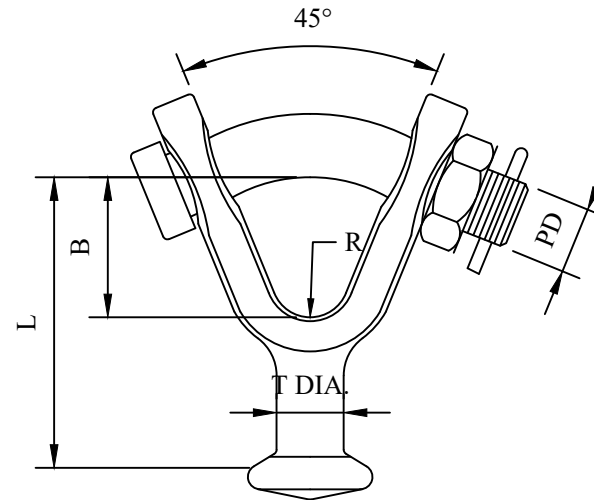


CATALOG NUMBER : 05A6N7M

NOTES:

1.MATERIAL:

- BODY – GALVANIZED STEEL
- CLEVIS PIN – GALVANIZED STEEL
- COTTER PIN – STAINLESS STEEL



PRODUCT DATA

CATALOG NUMBER	ULTIMATE STRENGTH LB (KN)	DIMENSIONS INCHES (MM)					APPROX WT EACH LB (KG)
		L	B	R	PD	T DIAMETER	
05A6N7M_1	30,000 (133)	$3 \frac{3}{32}$ (78.5)	$1 \frac{1}{2}$ (35.1)	0.406 (13.5)	$\frac{3}{4}$ (19.1)	$\frac{23}{32}$ (18.3)	19.0 (.96)
05A6N7M_2 ⁽¹⁾	50,000 (222)	$3 \frac{15}{16}$ (100.2)	$1 \frac{13}{16}$ (46)	0.531 (10.3)	$\frac{7}{8}$ (22.2)	$\frac{57}{64}$ (22.6)	2.80 (1.27)

NOTES:

- FOR USE WITH CLASS 52-3 AND 52-5 INSULATORS PER ANSI SPEC. C-29.2-71.
- (1) FOR USE WITH CLASS 52-8 AND 52-11 INSULATORS PER ANSI SPEC. C-29.2-71.

DRN BY:	DATA
Ella	12/12/16
<small>CONFIDENTIAL THIS DRAWING AND ITS CONTENTS PROPERTY OF TIANJIN TUOFA ELECTRIC POWER TECHNOLOGY CO.,LTD. NO PUBLICATION, DISTRIBUTION OR COPIES MAY BE MADE WITHOUT THE WRITTEN CONSENT OF TIANJIN TUOFA ELECTRIC POWER TECHNOLOGY CO.,LTD. TIANJIN TUOFA ELECTRIC POWER TECHNOLOGY CO.,LTD UNPUBLISHED ALL RIGHTS RESERVED UNDER THE COPYRIGHT LAWS.</small>	

ROTATED Y-CLEVIS EYE



TTF POWER TECHNOLOGY CO.