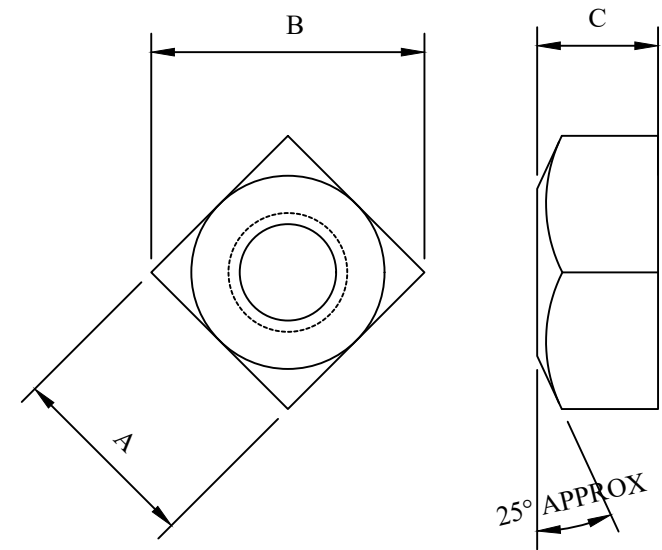


CATALOG NUMBER : 09C3A2S

CATALOG NUMBER	THREAD	"A"	"B"	"C"
09C3A2S_1	3/8-16 UNC	5/8 (15.9)	0.84 (21.3)	21/64 (8.3)
09C3A2S_2	1/2-13 UNC	13/16 (20.6)	1.10 (27.9)	7/16 (11.1)
09C3A2S_3	5/8-11 UNC	1 (25.4)	1.36 (34.5)	35/64 (13.9)
09C3A2S_4	3/4-10 UNC	1-1/8 (28.6)	1.53 (38.9)	21/32 (16.7)
09C3A2S_5	7/8-9 UNC	1-5/16 (33.3)	1.78 (45.2)	49/64 (19.4)
09C3A2S_6	1/8 UNC	1-1/2 (38.1)	2.04 (51.8)	7/8 (22.2)



NOTES:

1. ALL NUTS ARE GRADE 2 EXCEPT FOR $\frac{1}{2}$ " WHICH IS GRADE 5.
2. NUTS ARE HOT DIP GALVANIZED PER ASTM A153 (LAST REV.)
AND THREADS ARE TAPPED AFTER GALVANIZING FOR GALVANIZED BOLTS.
3. NUTS MEET ALL REQUIREMENTS OF ANSI C135.1 (LAST REV.)

DRN BY:	DATA
Ella	12/12/16
<small>CONFIDENTIAL THIS DRAWING AND ITS CONTENTS PROPERTY OF TIANJIN TUOFA ELECTRIC POWER TECHNOLOGY CO.,LTD. NO PUBLICATION, DISTRIBUTION OR COPIES MAY BE MADE WITHOUT THE WRITTEN CONSENT OF TIANJIN TUOFA ELECTRIC POWER TECHNOLOGY CO.,LTD. TIANJIN TUOFA ELECTRIC POWER TECHNOLOGY CO.,LTD UNPUBLISHED ALL RIGHTS RESERVED UNDER THE COPYRIGHT LAWS.</small>	

REGULAR SQUARE NUT



TTF POWER TECHNOLOGY CO.